

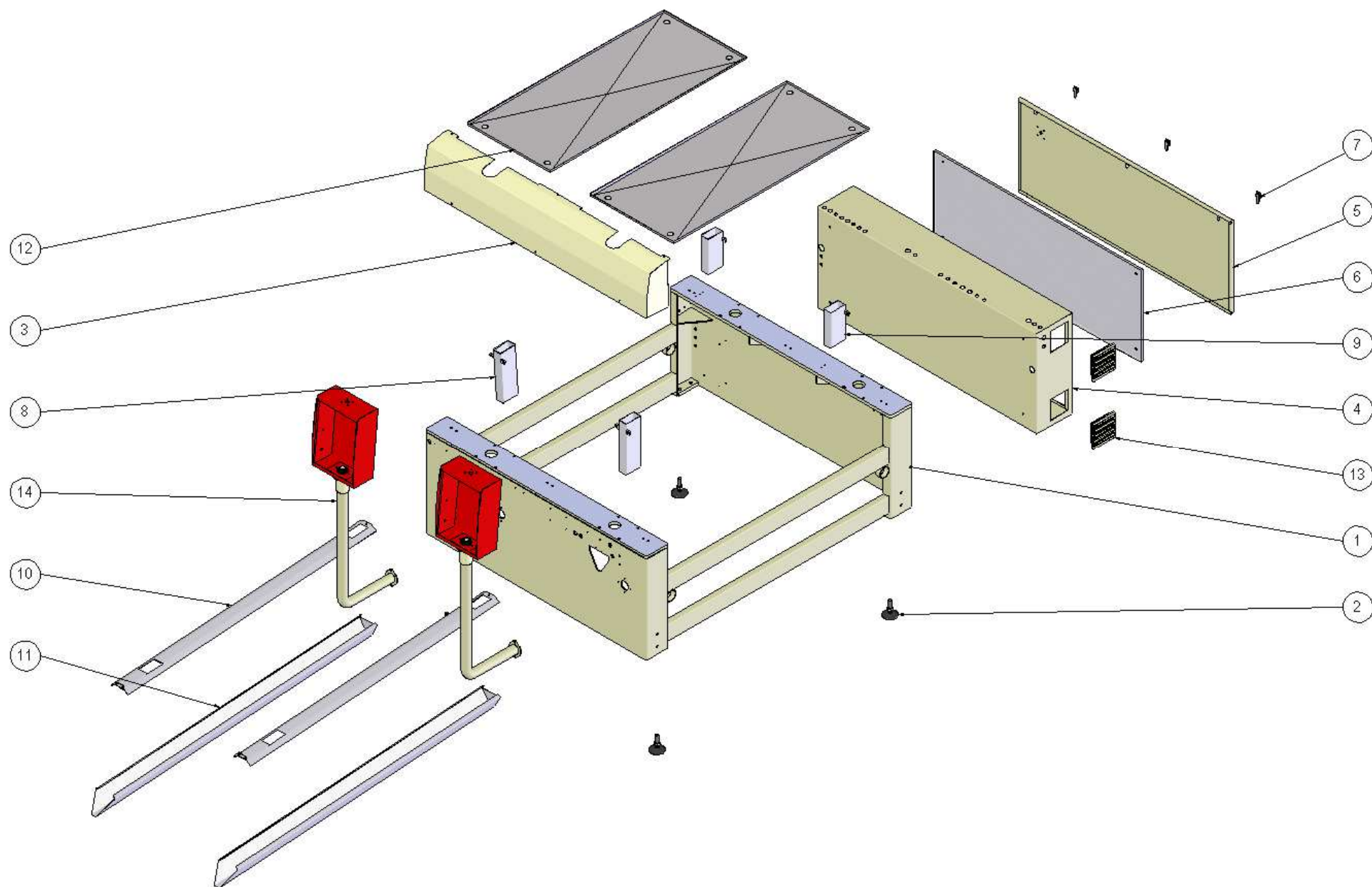
ERS 130 T2

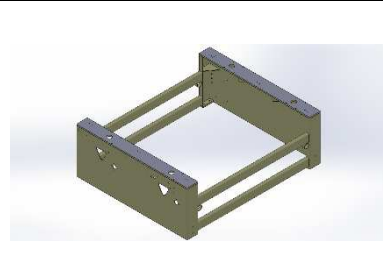
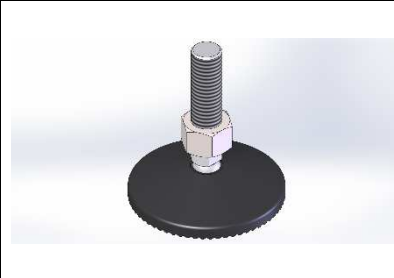
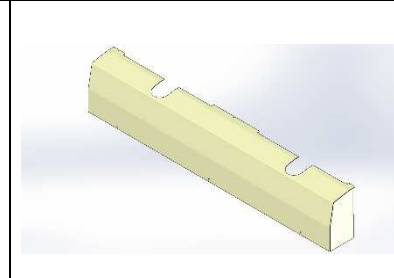
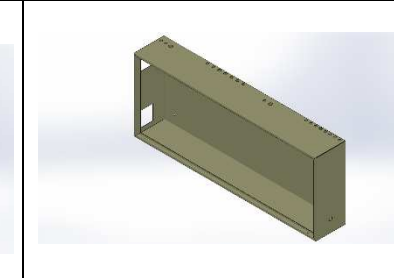
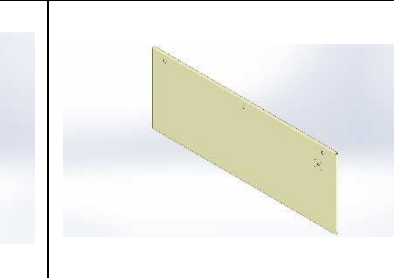
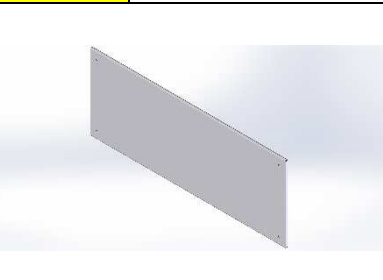
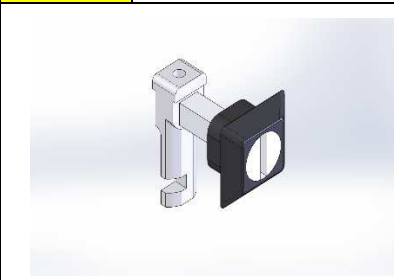
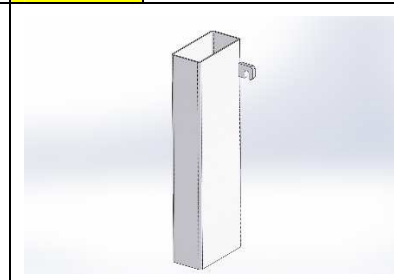
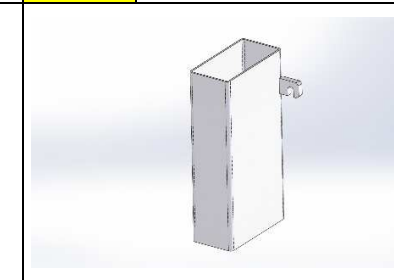

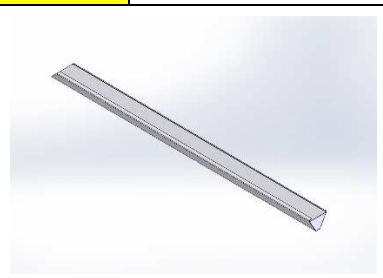
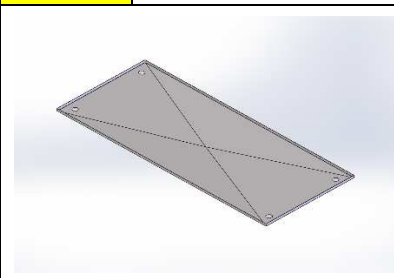
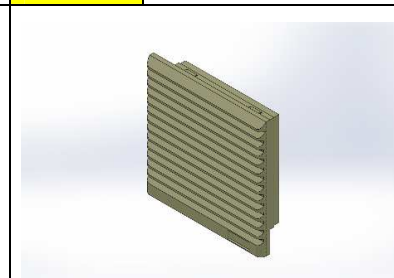
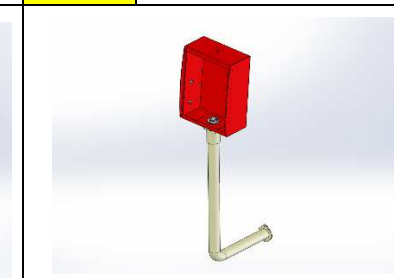
Lista de Peças



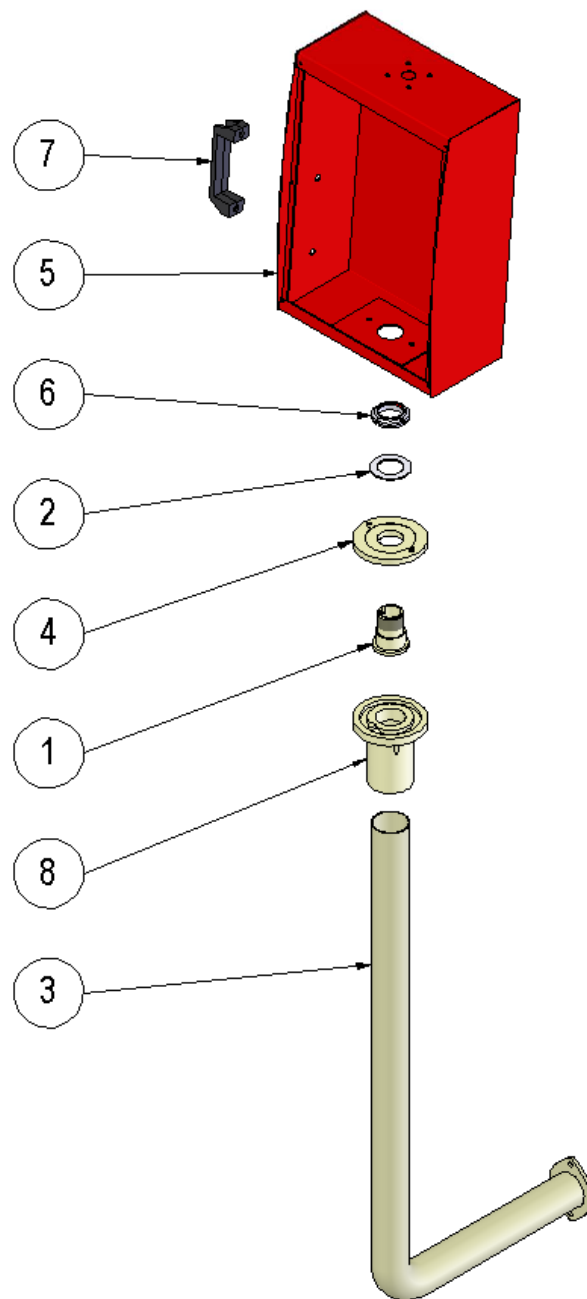
maclinea

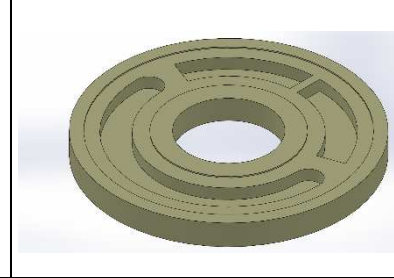
Gr. Estrutura - 15269



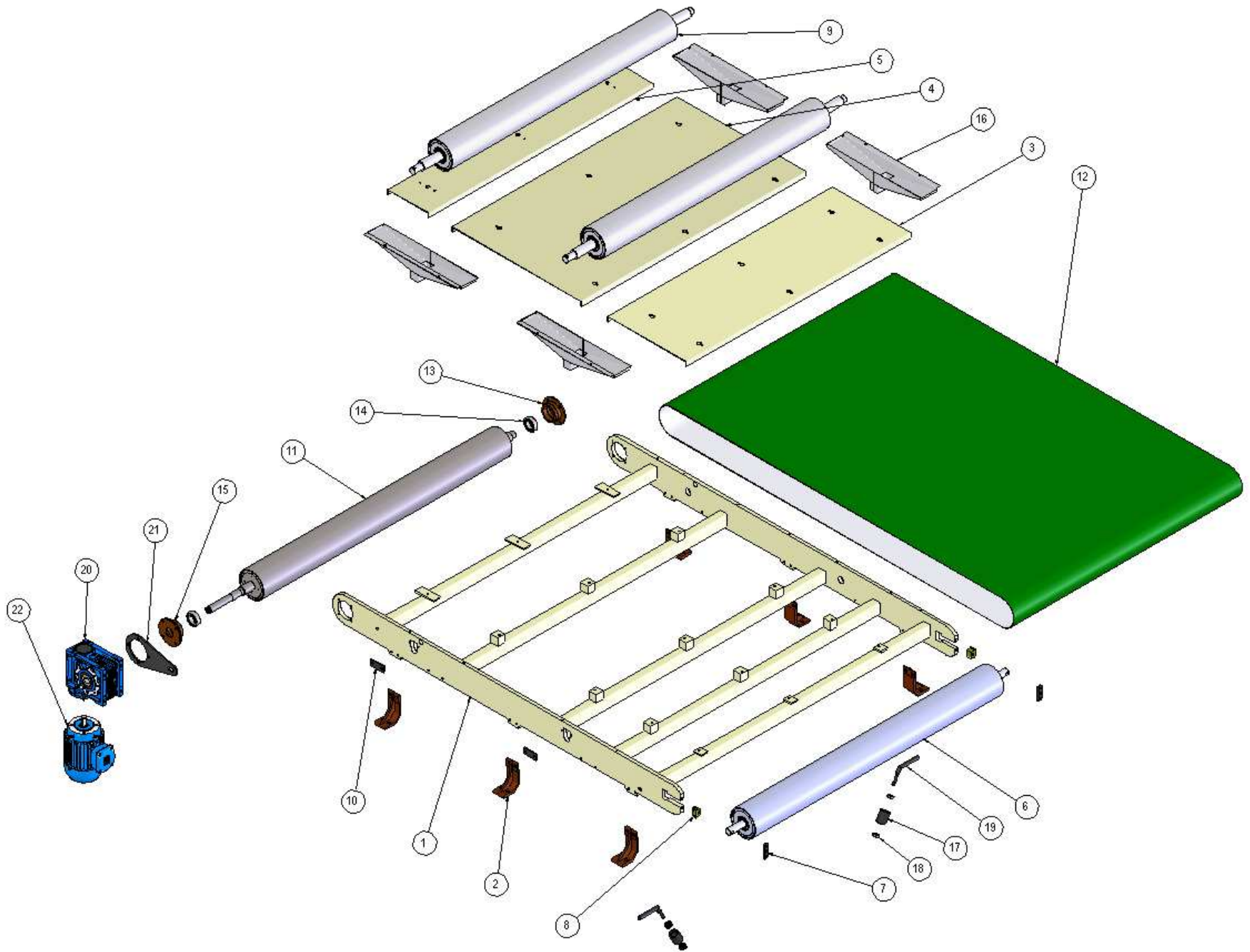
01	22356	02	9139	03	76697	04	4267	05	15283
									
06	15284	07	7928	08	18185	09	18186	10	22349
									
11	8364	12	4112	13	82925	14	32826		
									

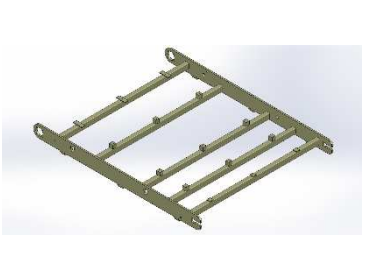

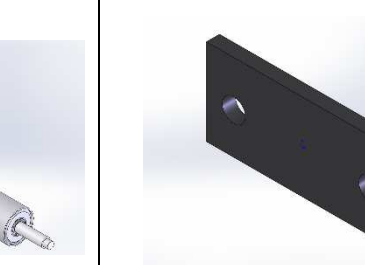
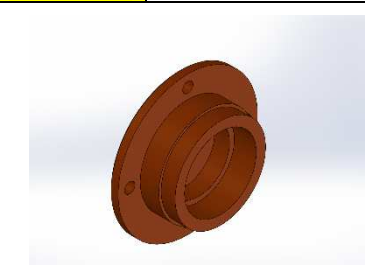
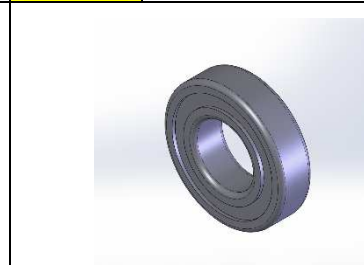

Sc. Painel de Comando - 32826

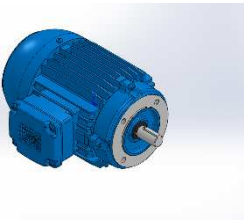
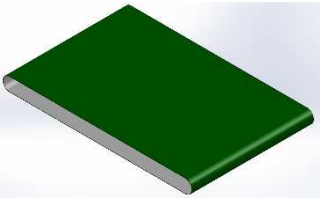


01	32405	02	32827	03	32561	04	32828	05	8408
									
06	1789	07	5152	08	30545				
									

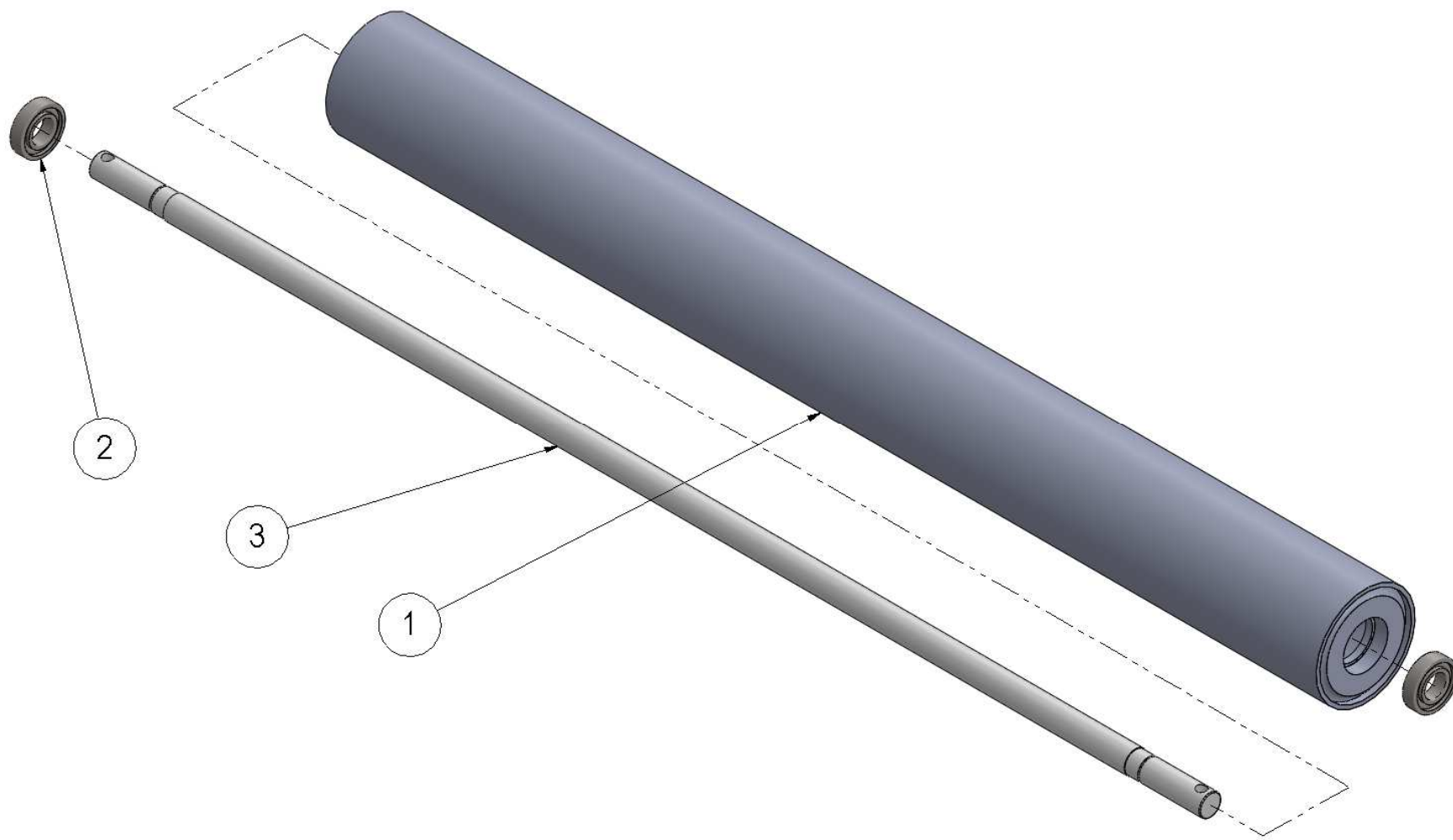
Gr. Transporte - 69661

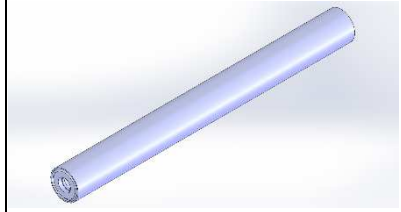
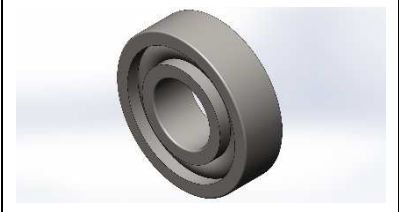
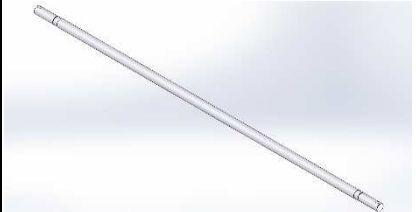


01	15278	02	12852	03	15279	04	15280	05	15281
									
06	48491	07	9970	08	9971	09	48492	10	9978
									
11	12854	12	9979	13	4946	14	12855	15	22353
									
16	9972	17	104	18	9973	19	28636	20	9981
									

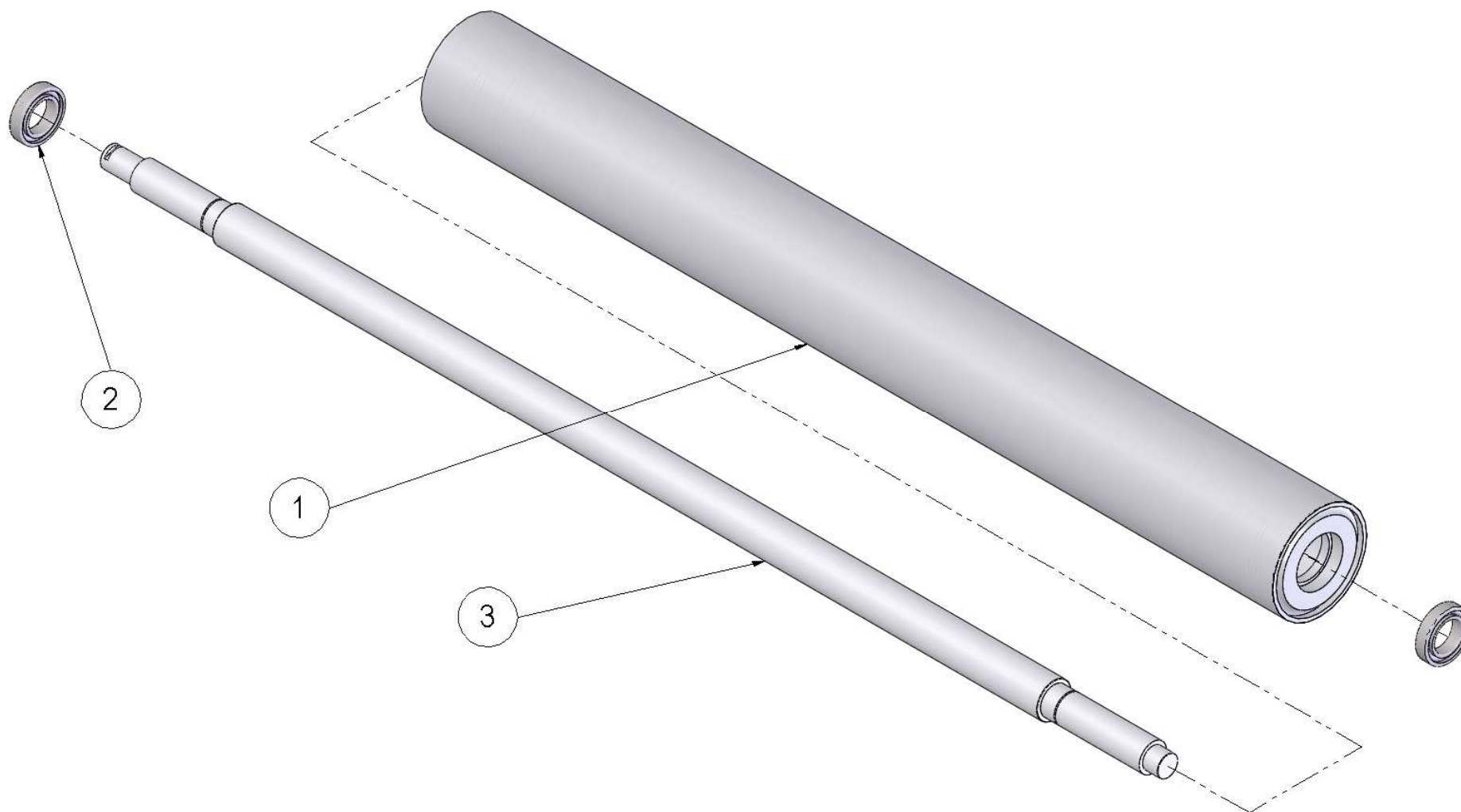
21	7862	22	8697
 A blue electric motor with a silver shaft and mounting flange, shown from a three-quarter perspective.		 A green rectangular plate with a white border, shown from a three-quarter perspective.	

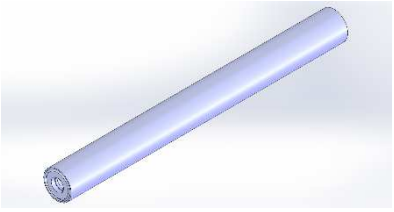

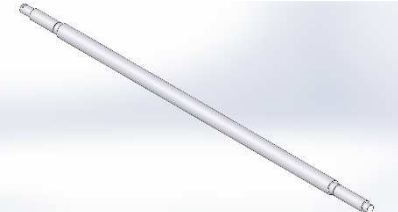
Sc. Rolo Esticador - 48491



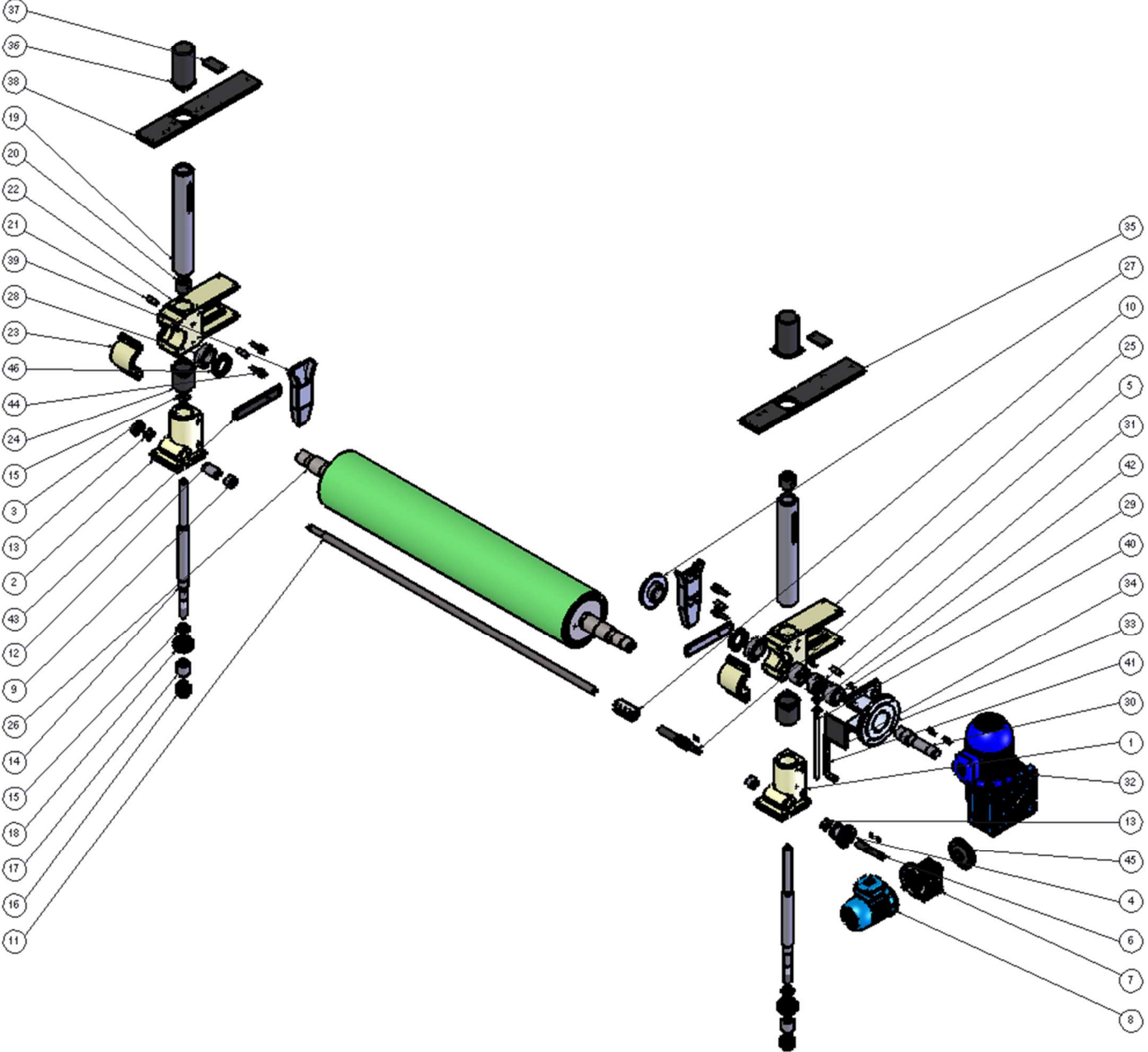
01	7818	02	4946	03	9969
					

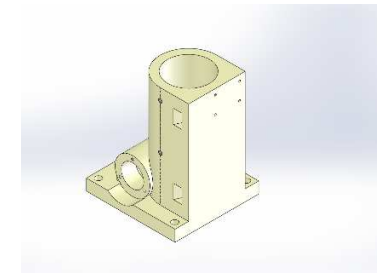
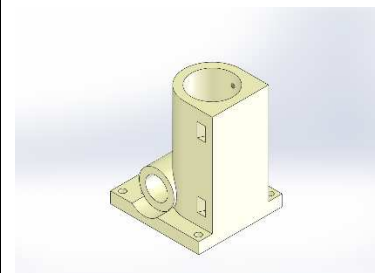
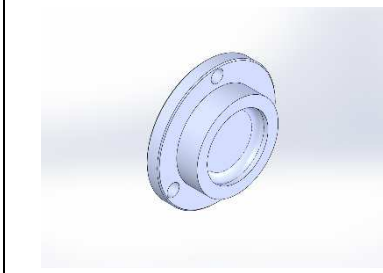
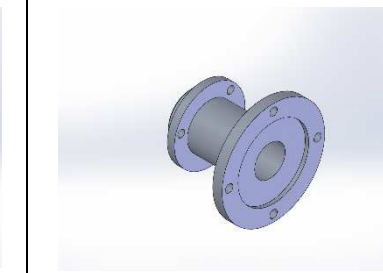


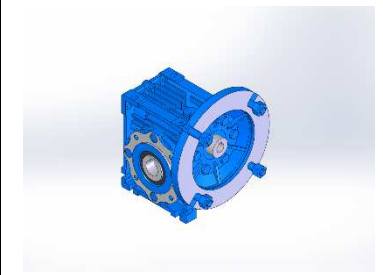
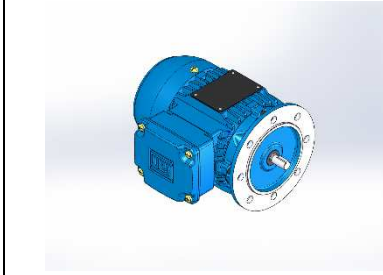
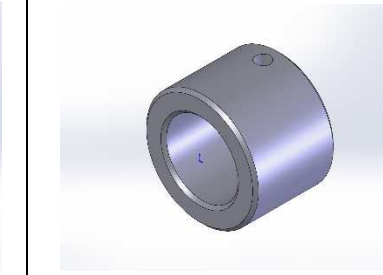
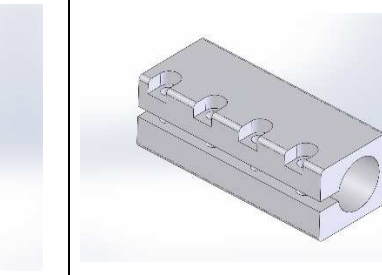
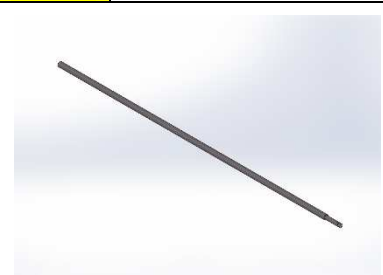
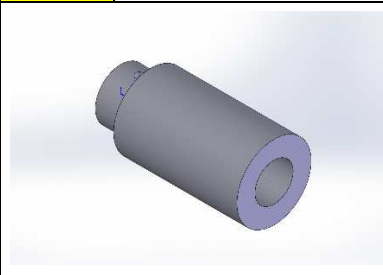
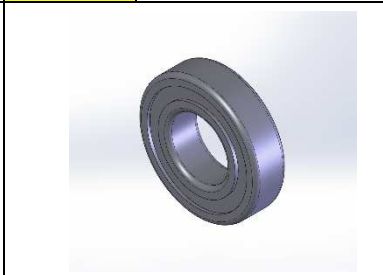
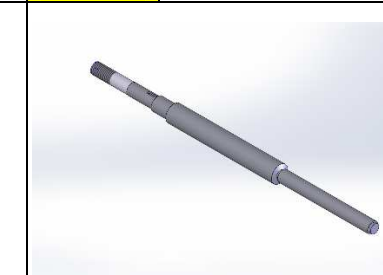
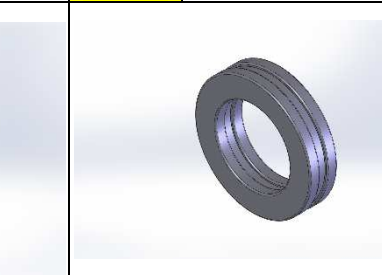
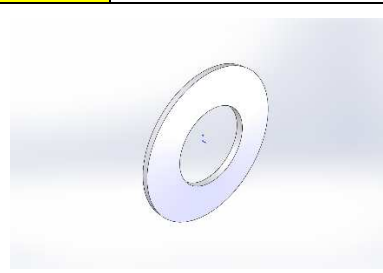
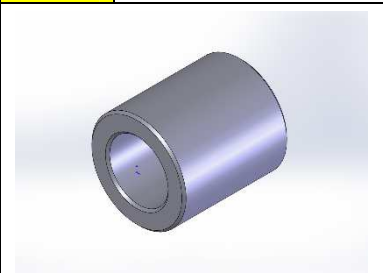
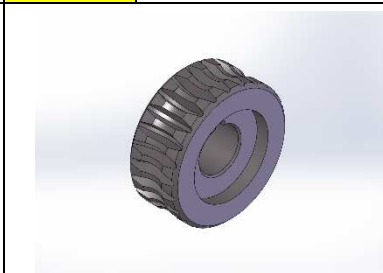
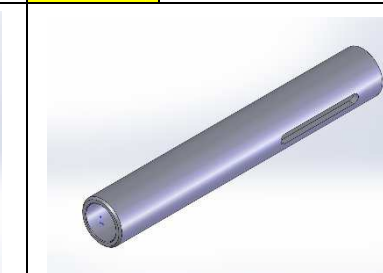

Sc. Rolo intermedio - 48492

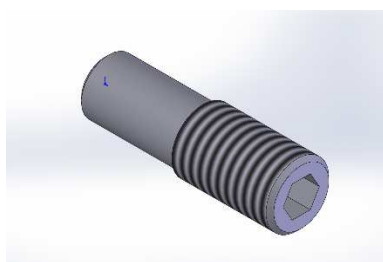
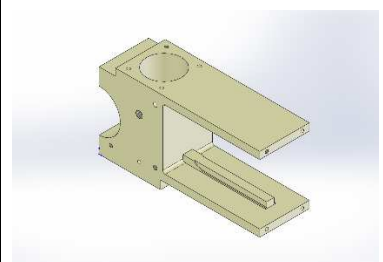
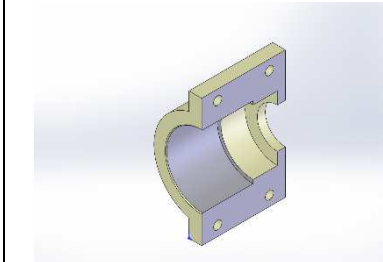
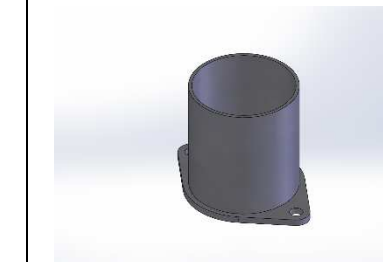
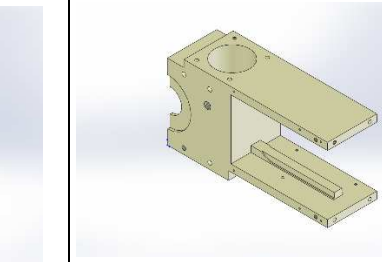

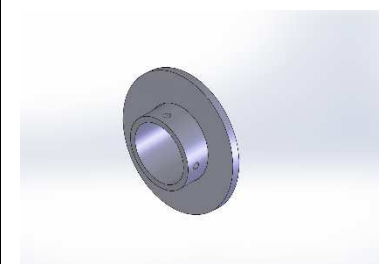

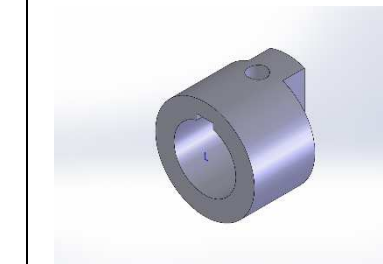
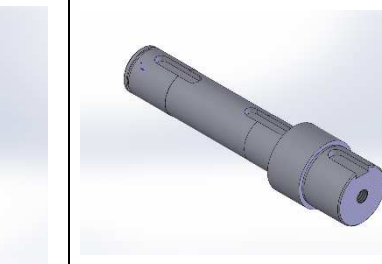
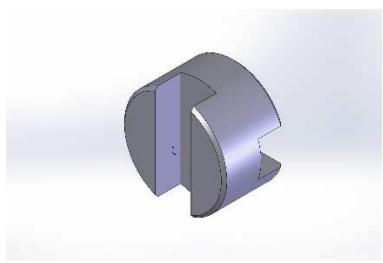
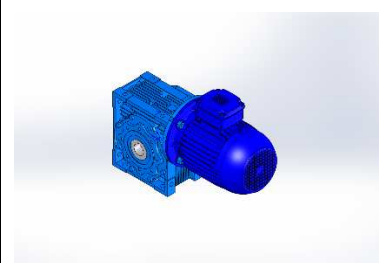
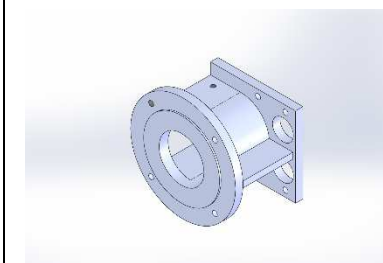
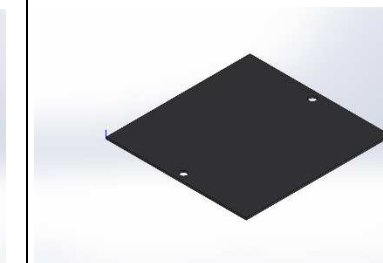
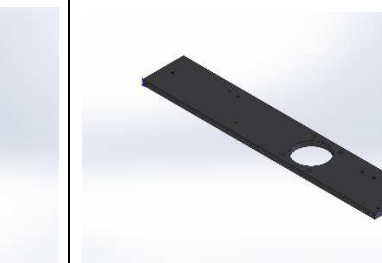

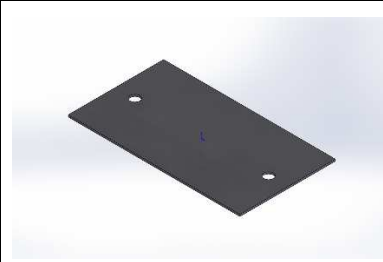
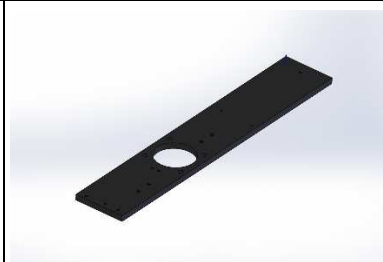
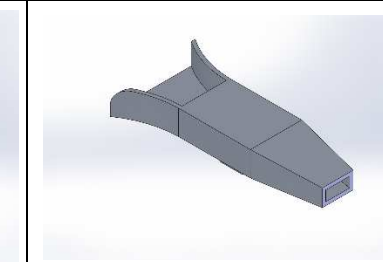
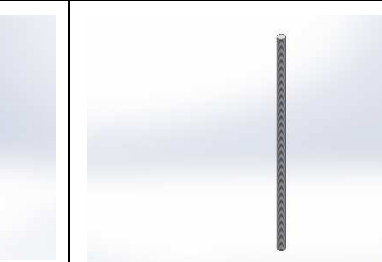



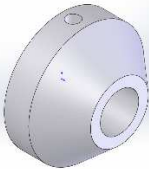
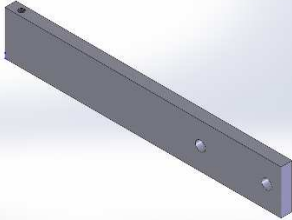

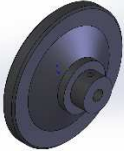
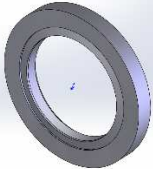
01	8513	02	979	03	30094
					

Gr. Rolo Aplicador - 12823

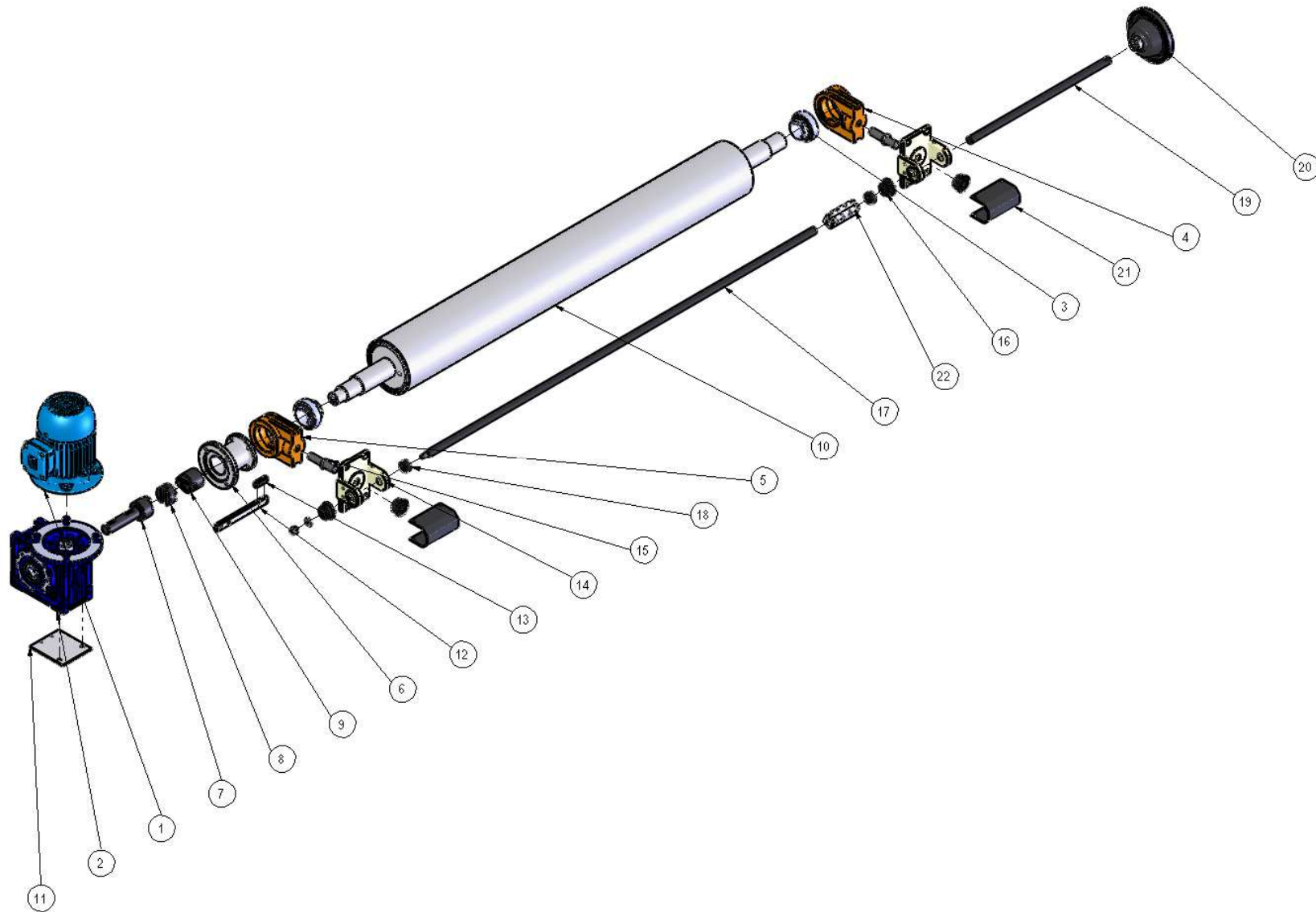


01	3584	02	9968	03	9925	04	9990	05	9984
									
06	9987	07	4180	08	15470	09	9926	10	8251
									
11	9928	12	3399	13	4945	14	6514	15	4948
									
16	5153	17	9929	18	3400	19	9989	20	8917
									

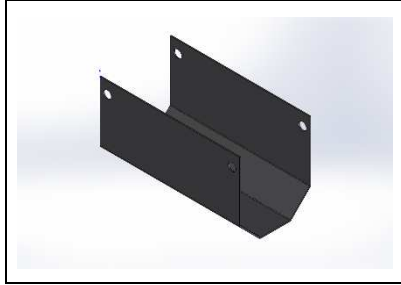
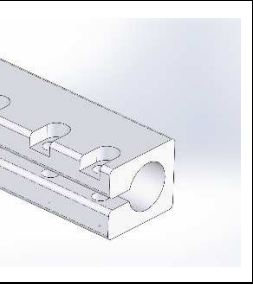
21	9930	22	9991	23	9931	24	27618	25	9992
									
26	23	27	10016	28	4943	29	9986	30	9994
									
31	9985	32	69602/6599	33	9993	34	9995	35	22354
									
36	27617	37	10033	38	22355	39	5750	40	9988
									

41	9999	42	10001	43	9998	44	3297	45	9996
									
46	4955								
									

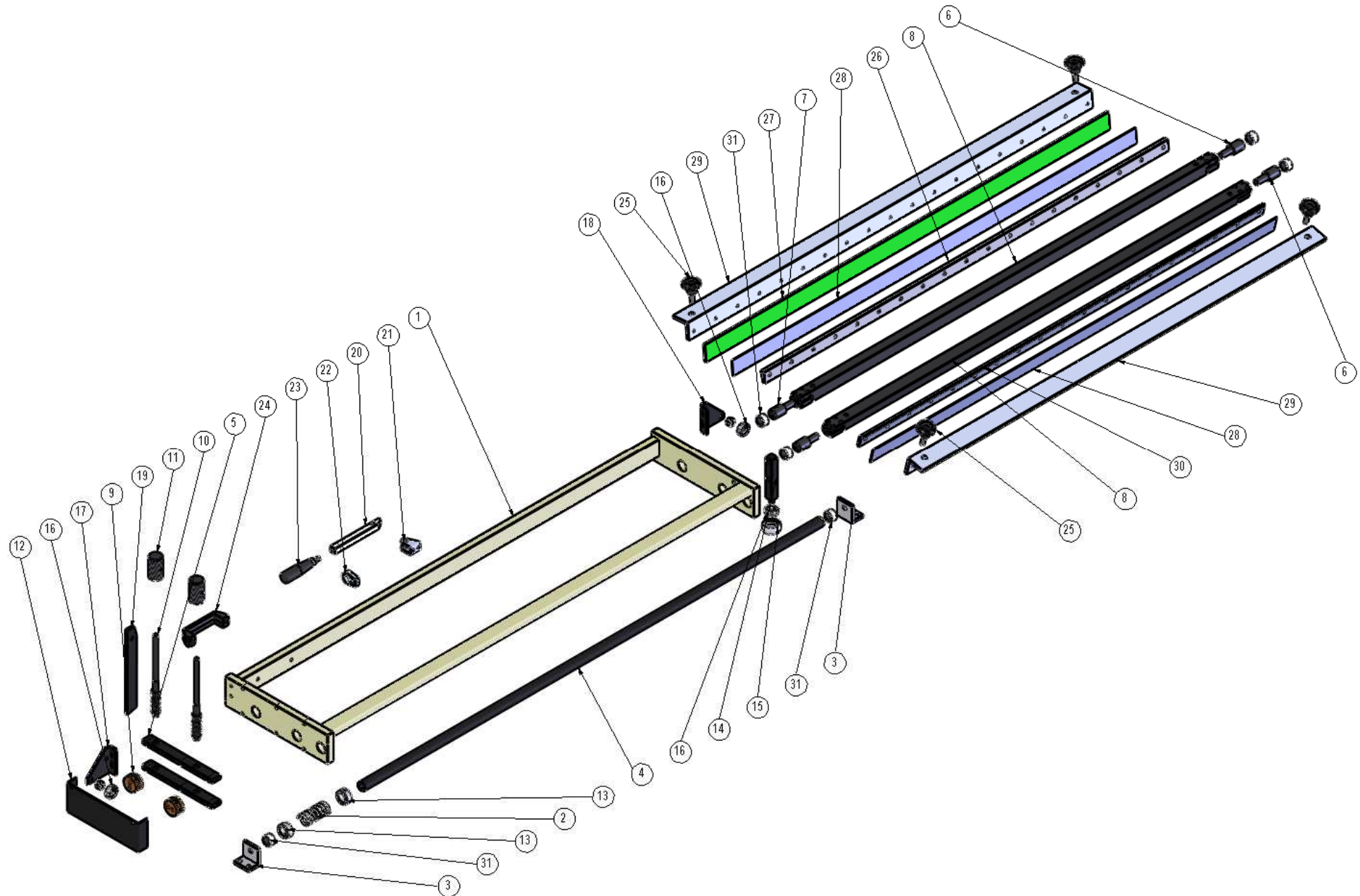
Gr. Rolo Dosador - 21588



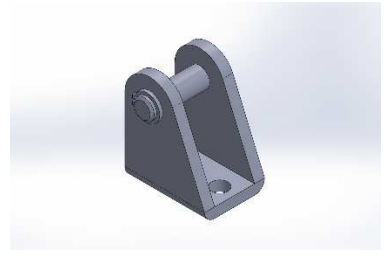
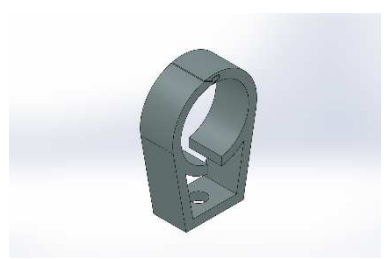

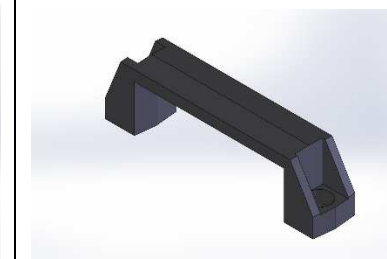

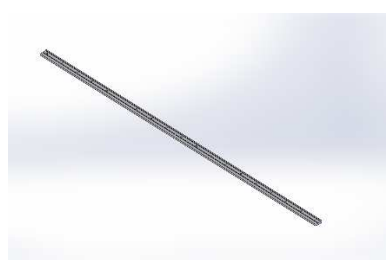
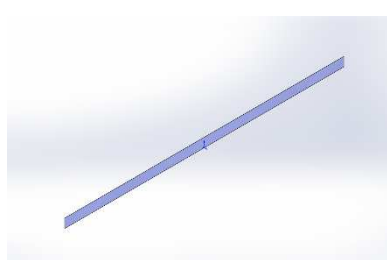
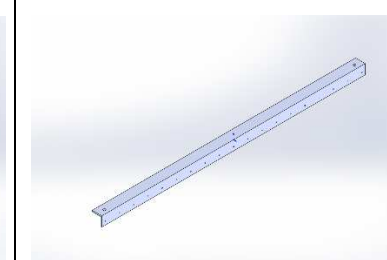

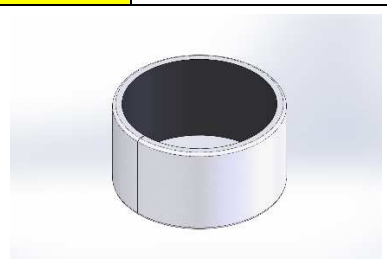
01	6596	02	8861	03	4941	04	10002	05	10003
									
06	9954	07	21582	08	9310	09	10006	10	7130
									
11	21581	12	10058	13	21583	14	9934	15	9932
									
16	9913	17	9935	18	9936	19	9937	20	10007
									

21	9938	22	12865
			

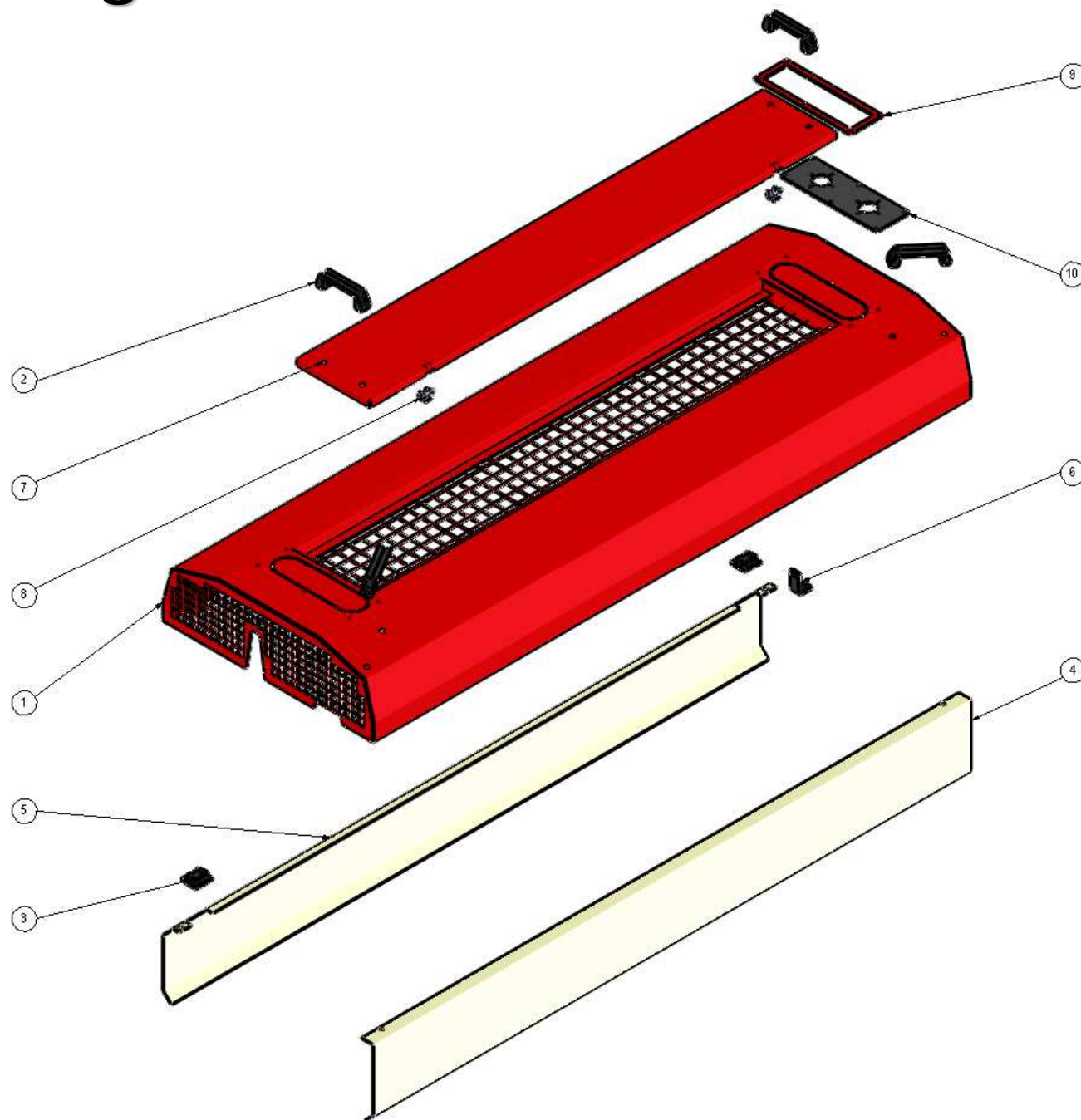
Gr. Raspador - 12835

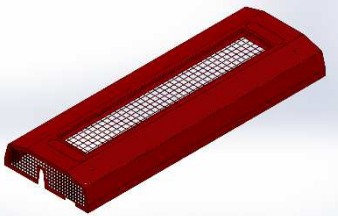
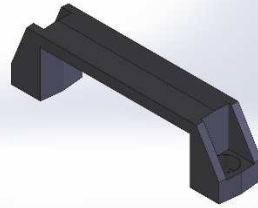
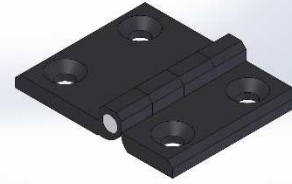
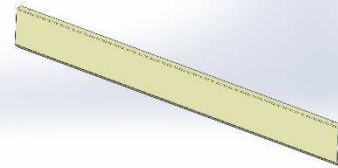
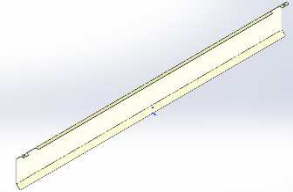

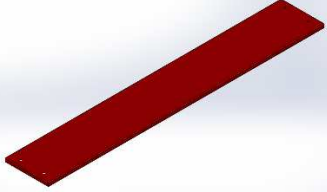
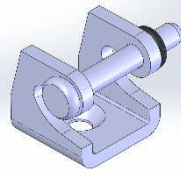
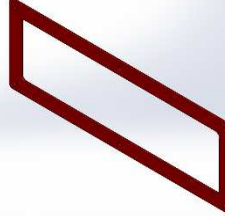
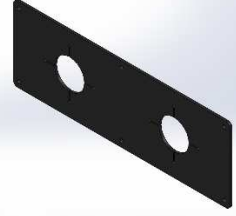


01	12875	02	1563	03	10013	04	10014	05	12866
									
06	32557	07	32558	08	32547	09	9957	10	9958
									
11	48713	12	12867	13	10015	14	10022	15	10017
									
16	4944	17	10030	18	10029	19	10031	20	32539
									

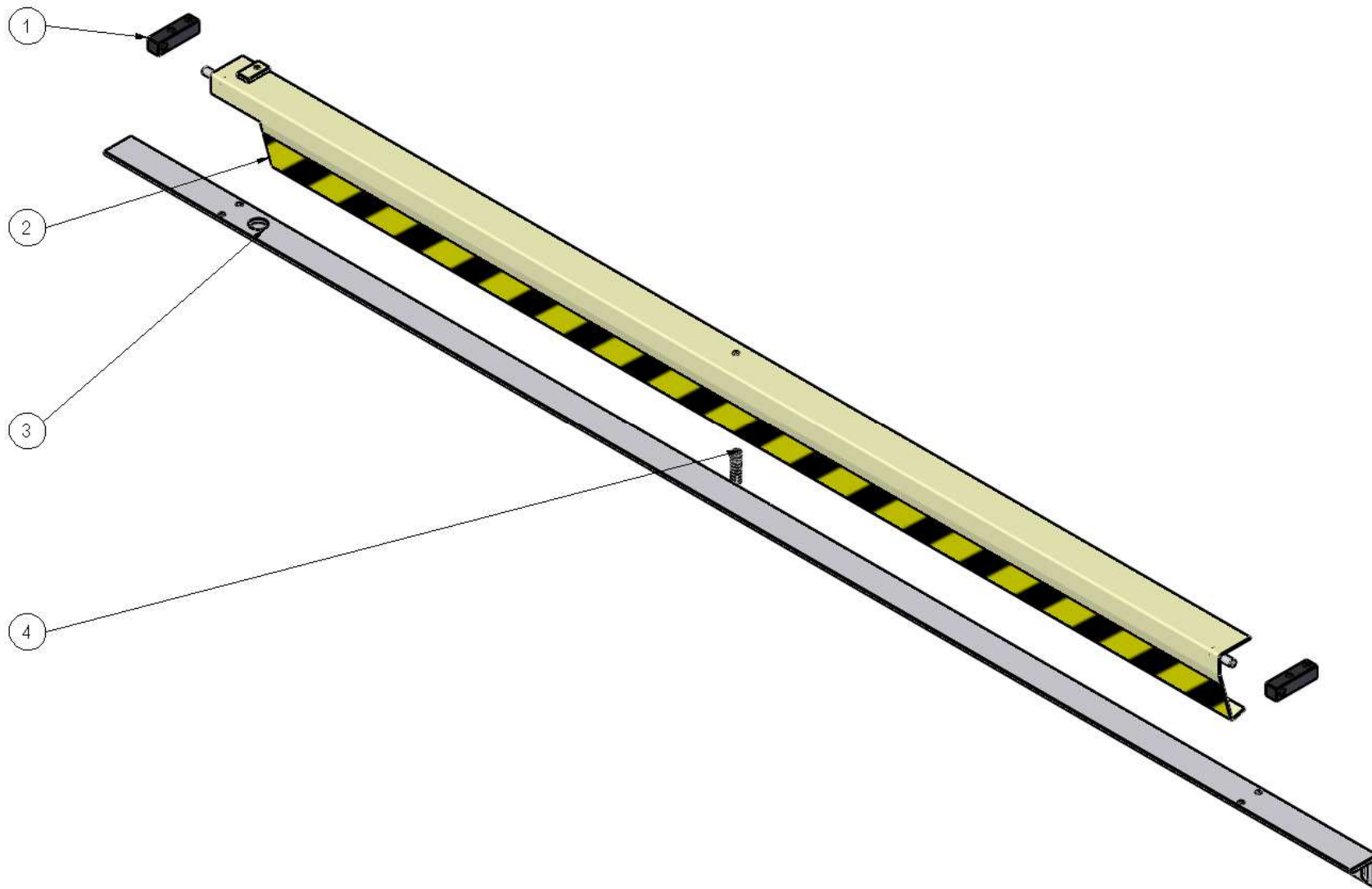
21	8458	22	8237	23	12897	24	5152	25	19044
									
26	17224	27	60372	28	1780	29	10026	30	4363
									
31	5217								
									

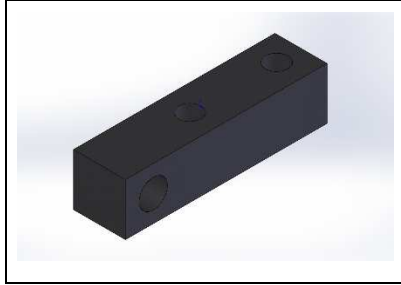
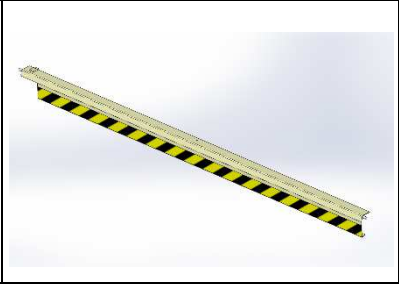
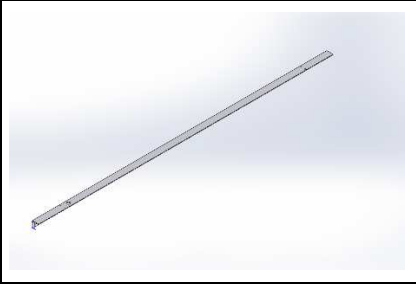
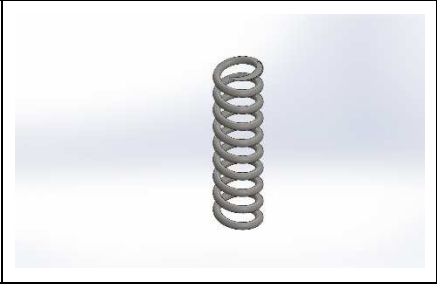
Gr. Carenagem - 77912



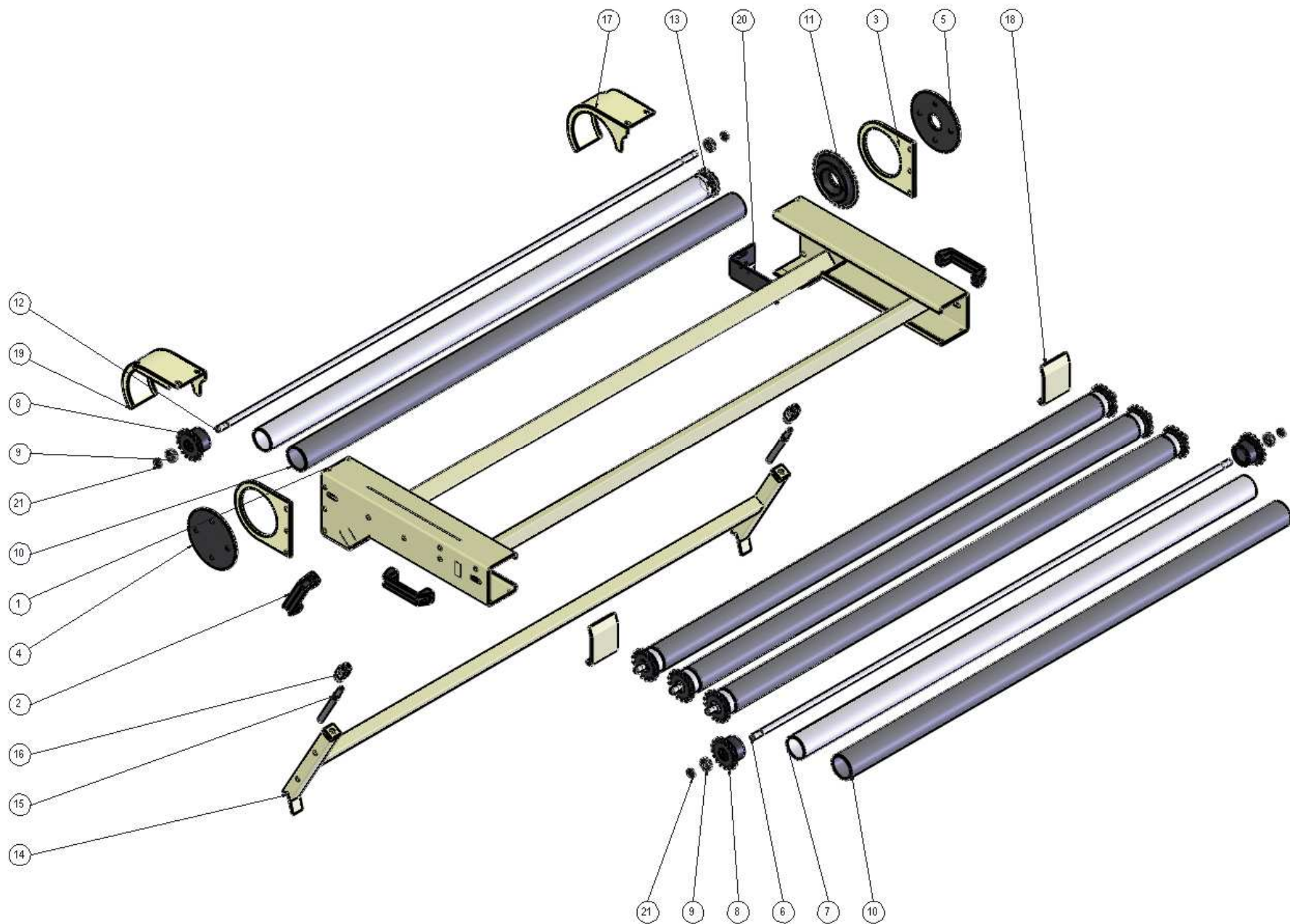
01	76679	02	5152	03	5050	04	10060	05	76693
									
06	22448	07	76681	08	70753	09	79426	10	79427
									

Gr. Emergência Chapa - 23579



01	10046	02	10048	03	10053	04	2364
							

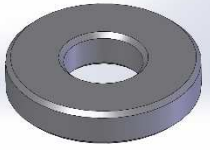
Gr. Basculante - 19182



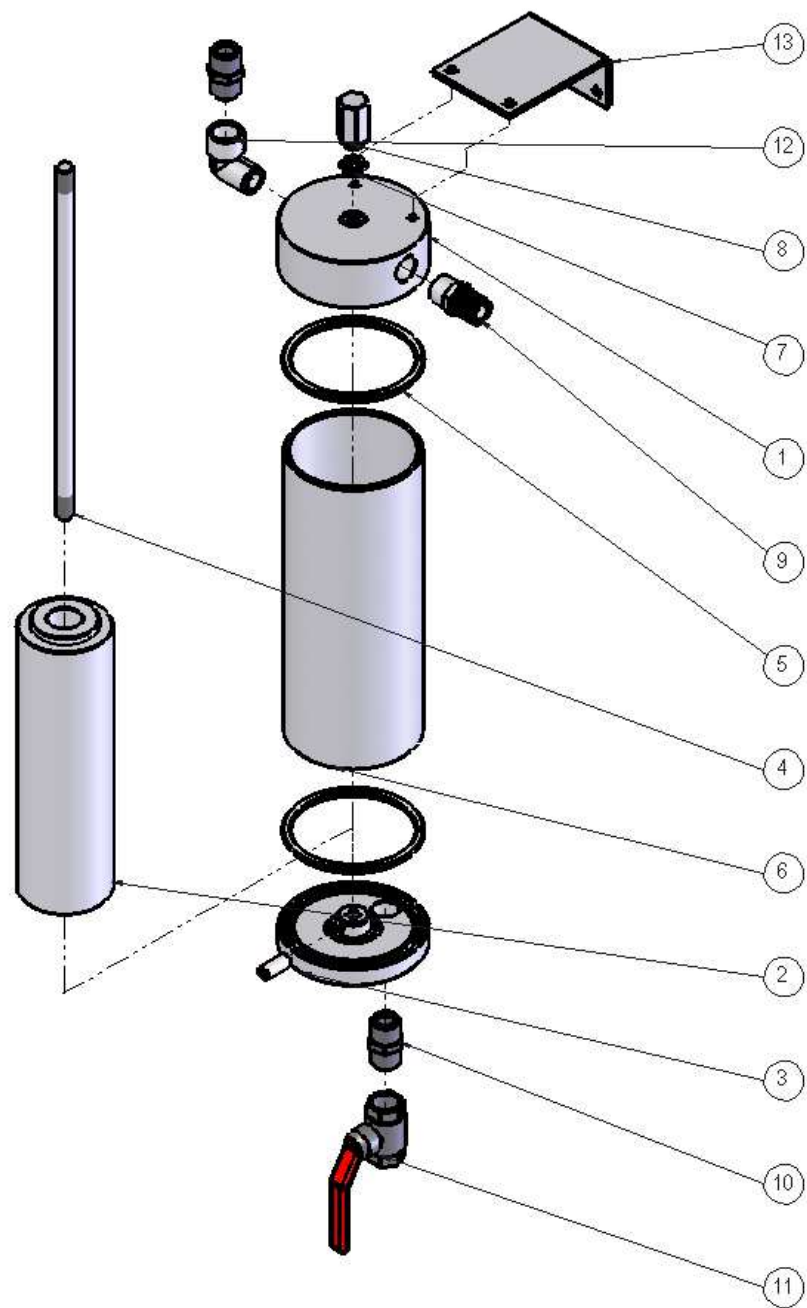
01	22694	02	5152	03	19184	04	10511	05	10512
									
06	22701	07	23444	08	2537	09	5099	10	2946
									
11	23445	12	23443	13	22699	14	22696	15	23664
									
16	8455	17	70987	18	70252	19	71129	20	70484
									

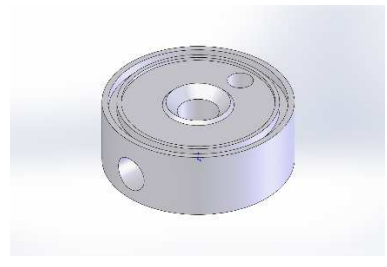

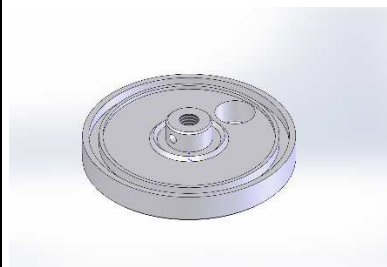

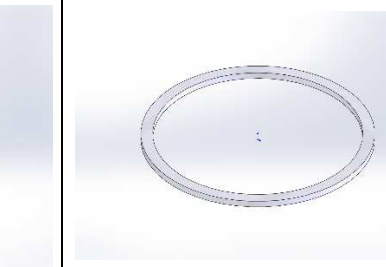
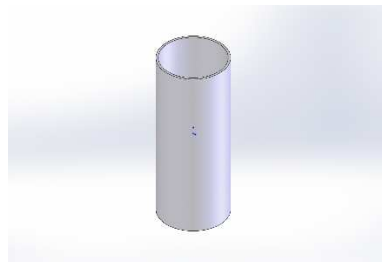
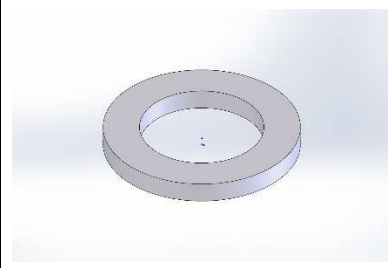
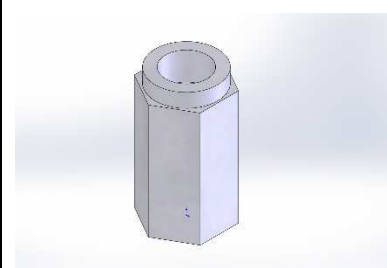
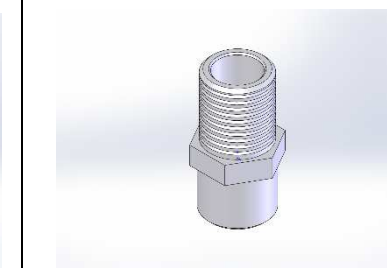
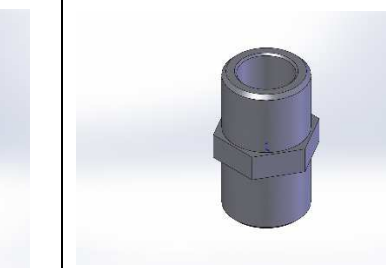
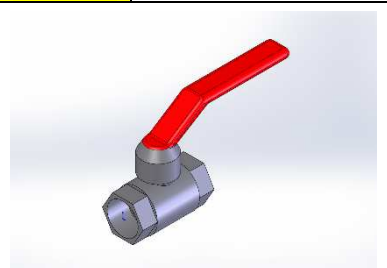
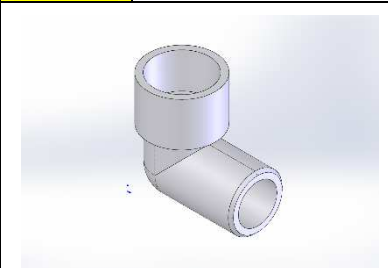
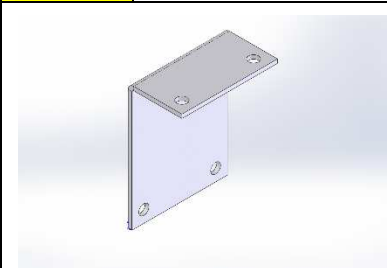
21

11986

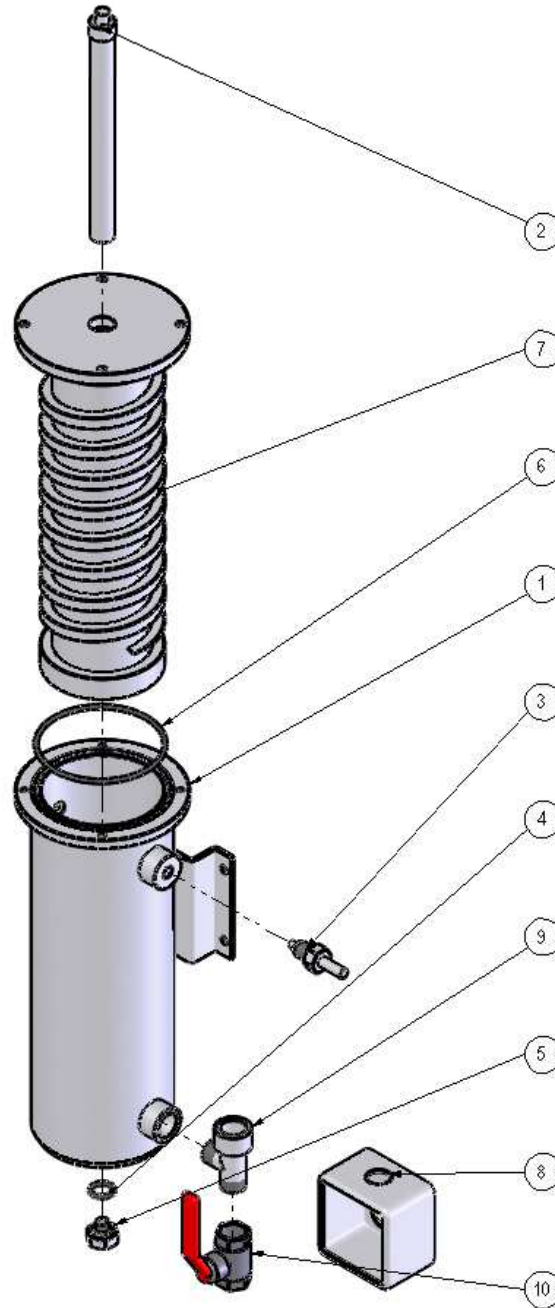


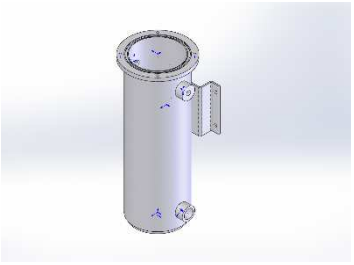
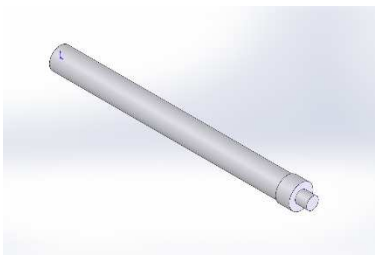
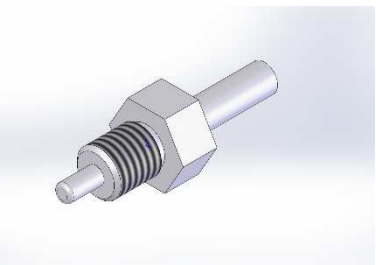
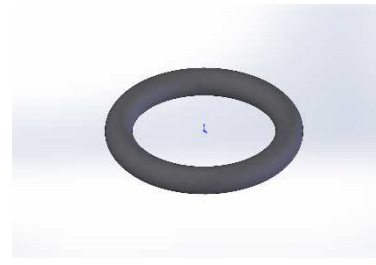
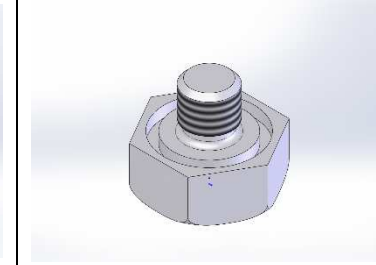
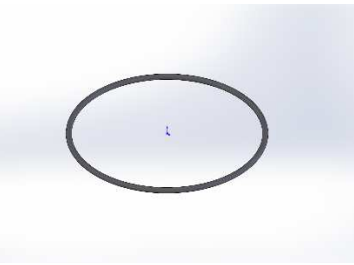
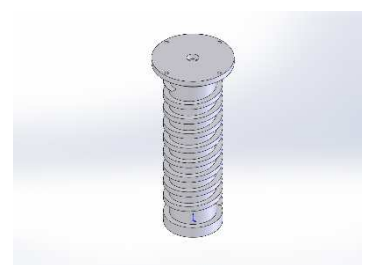
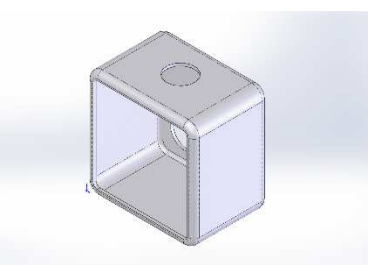
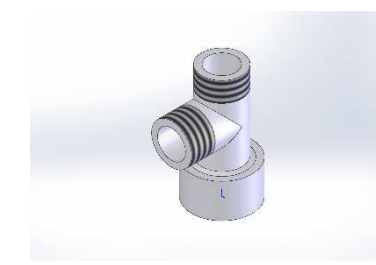

Gr. Filtro de Verniz - 12860



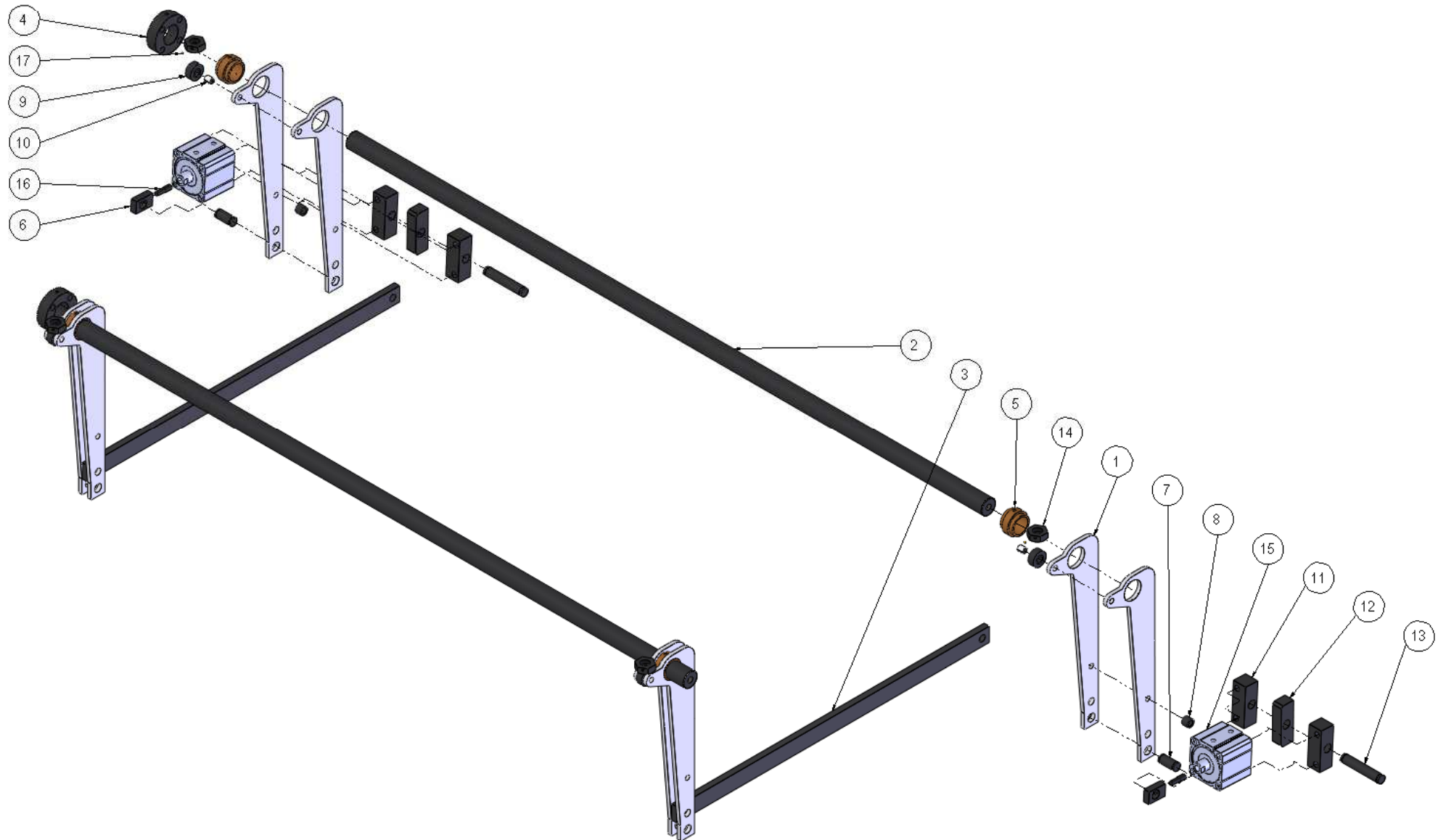
01	16675	02	16407	03	16676	04	13271	05	12887
									
06	20411	07	12888	08	16683	09	6735	10	16437
									
11	5215	12	1846	13	16684				
									

Gr. Aquecedor -12920



01	9053	02	8284	03	8336	04	8951	05	12949
									
06	10468	07	16564	08	16566	09	16436	10	5215
									

Gr. Emergência Pneumática - 9152



01	8625	02	24661	03	24663	04	22589	05	22588
									
06	22672	07	22673	08	29815	09	21698	10	22782
									
11	8630	12	22784	13	22415	14	52208	15	74482
									
16	16190								
									