


IBR 130 RT

 Lista de Peças

 Lista de Piezas

 List of Pieces

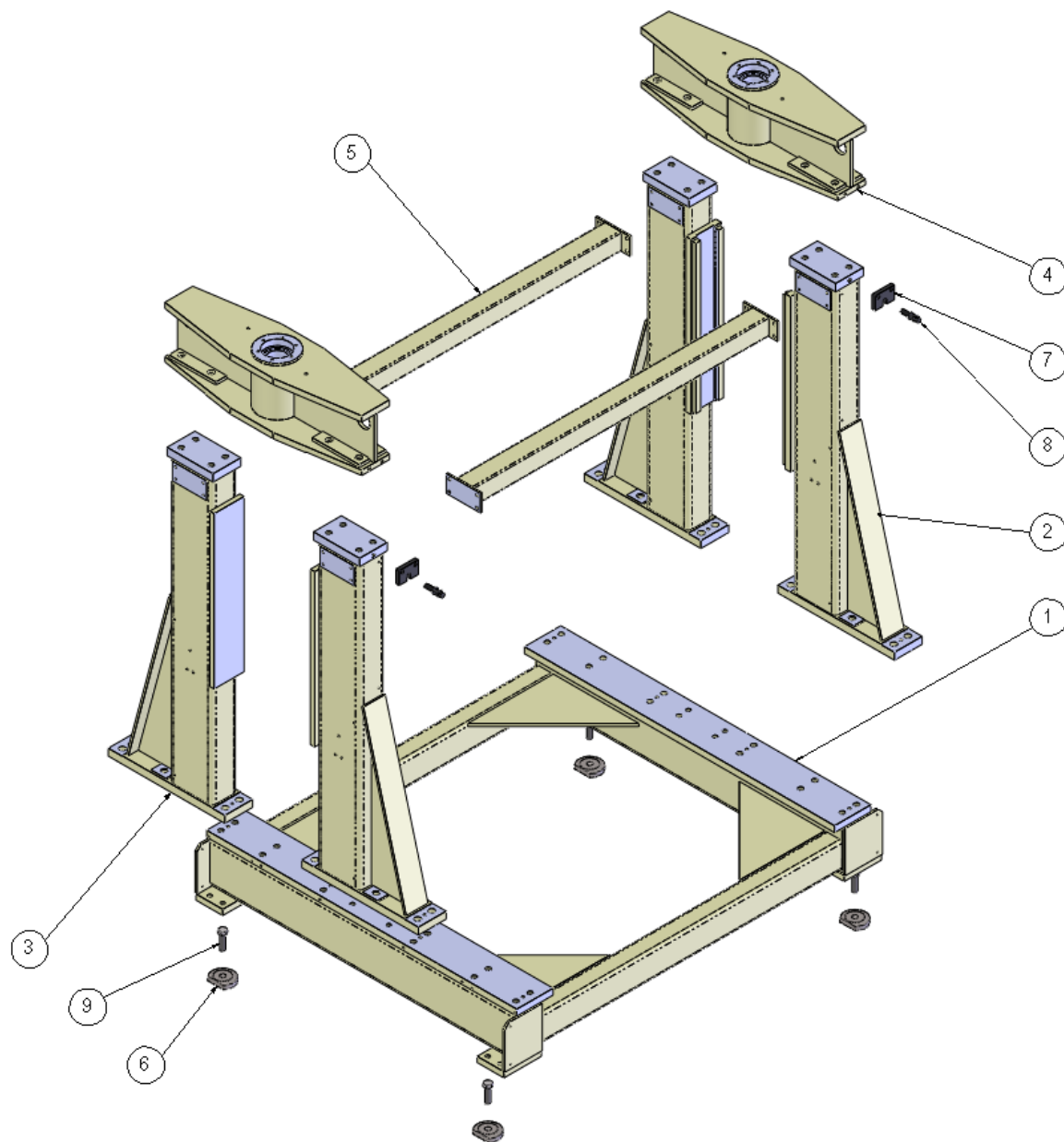


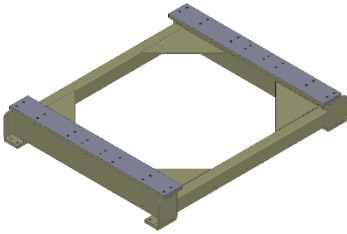
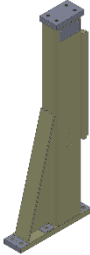
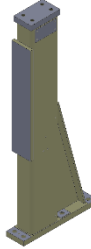
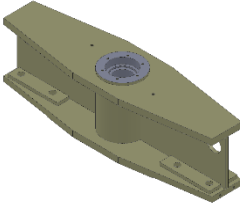
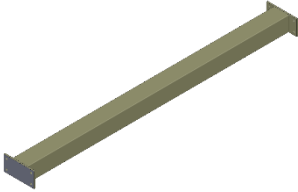
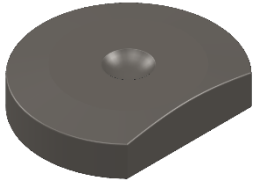
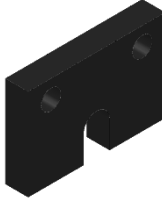

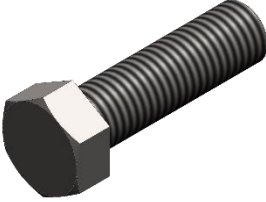
maclinea

🇧🇷 Gr. Estrutura – 82402

🇪🇸 Gr. Estructura

🇬🇧 Gr. Structure

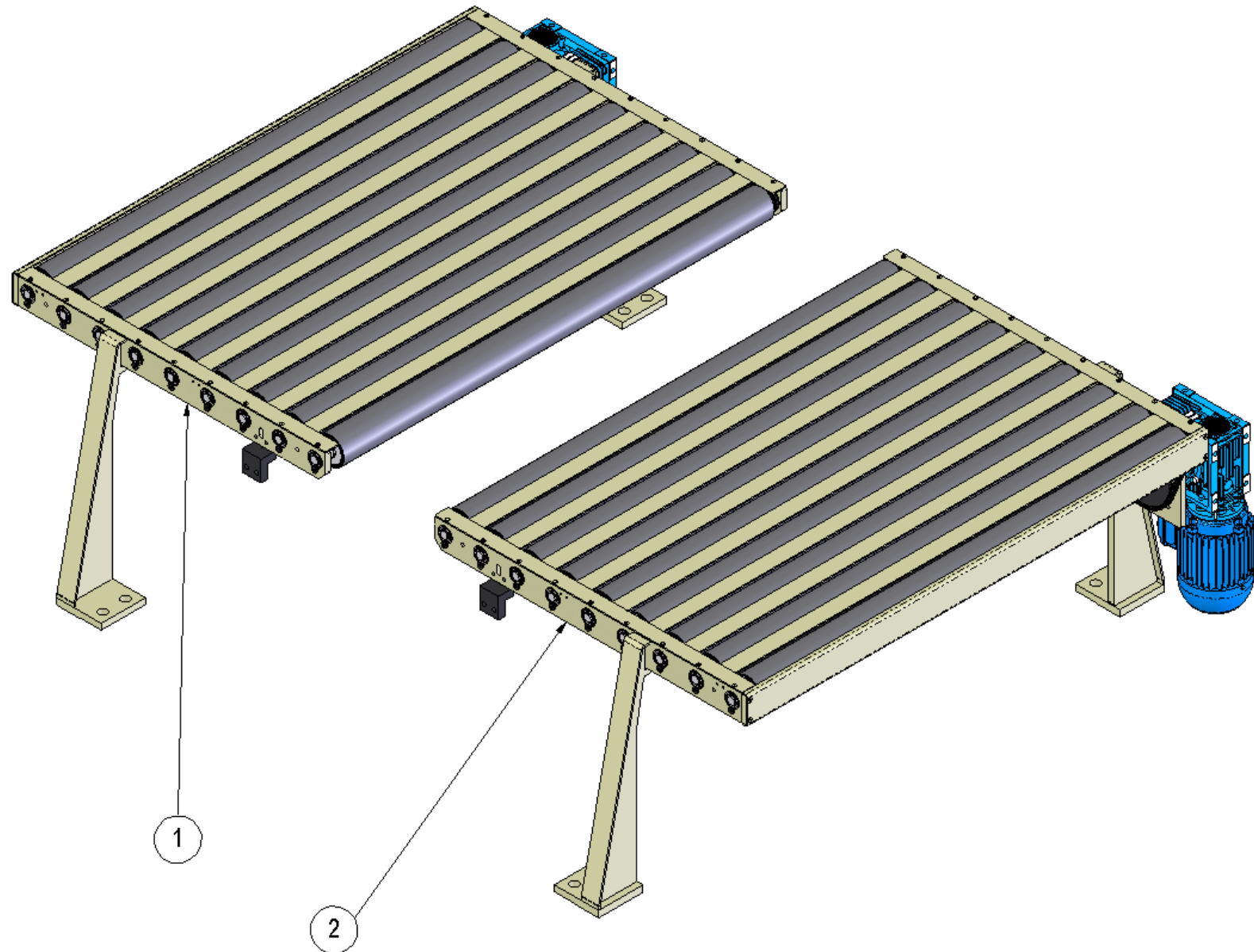


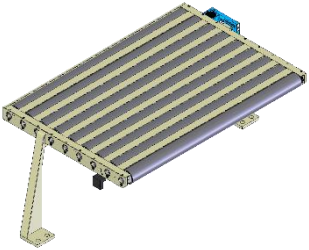
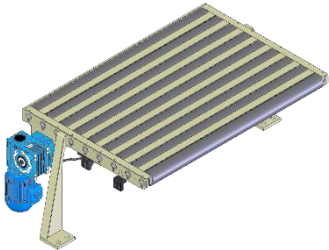
01	82392	02	82394	03	82395	04	82393	05	79515
									
06	11321	07	82396	08	82397	09	3306		
									

🇧🇷 Gr. Mesa de Transporte – 81678

🇪🇸 Gr. Tabla de Transporte

🇬🇧 Gr. Table Transportation

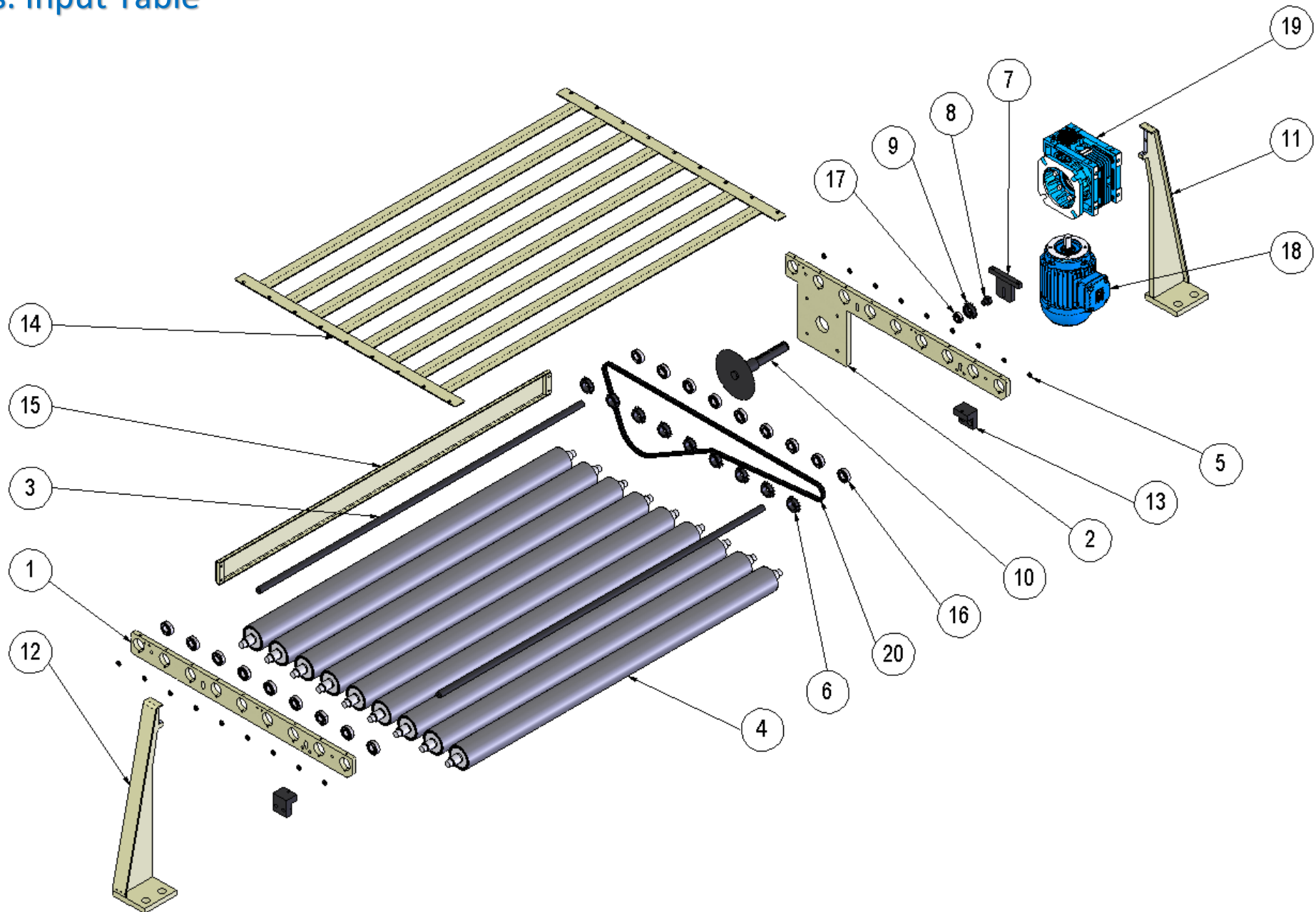


01	80268	02	81677
 A perspective view of a LEGO Technic assembly. It features a grey Technic beam with several grey Technic axles running through it. The assembly is supported by two grey Technic legs. A small blue Technic component is attached to the top right corner of the beam.	 A perspective view of a LEGO Technic assembly, similar to the one in the first image. It features a grey Technic beam with several grey Technic axles. The assembly is supported by two grey Technic legs. A larger blue Technic component, possibly a motor or actuator, is attached to the left side of the beam.		

🇧🇷 Sc. Mesa de Entrada – 80268

🇪🇸 Sc. Tabla de entrada

🇬🇧 Ss. Input Table

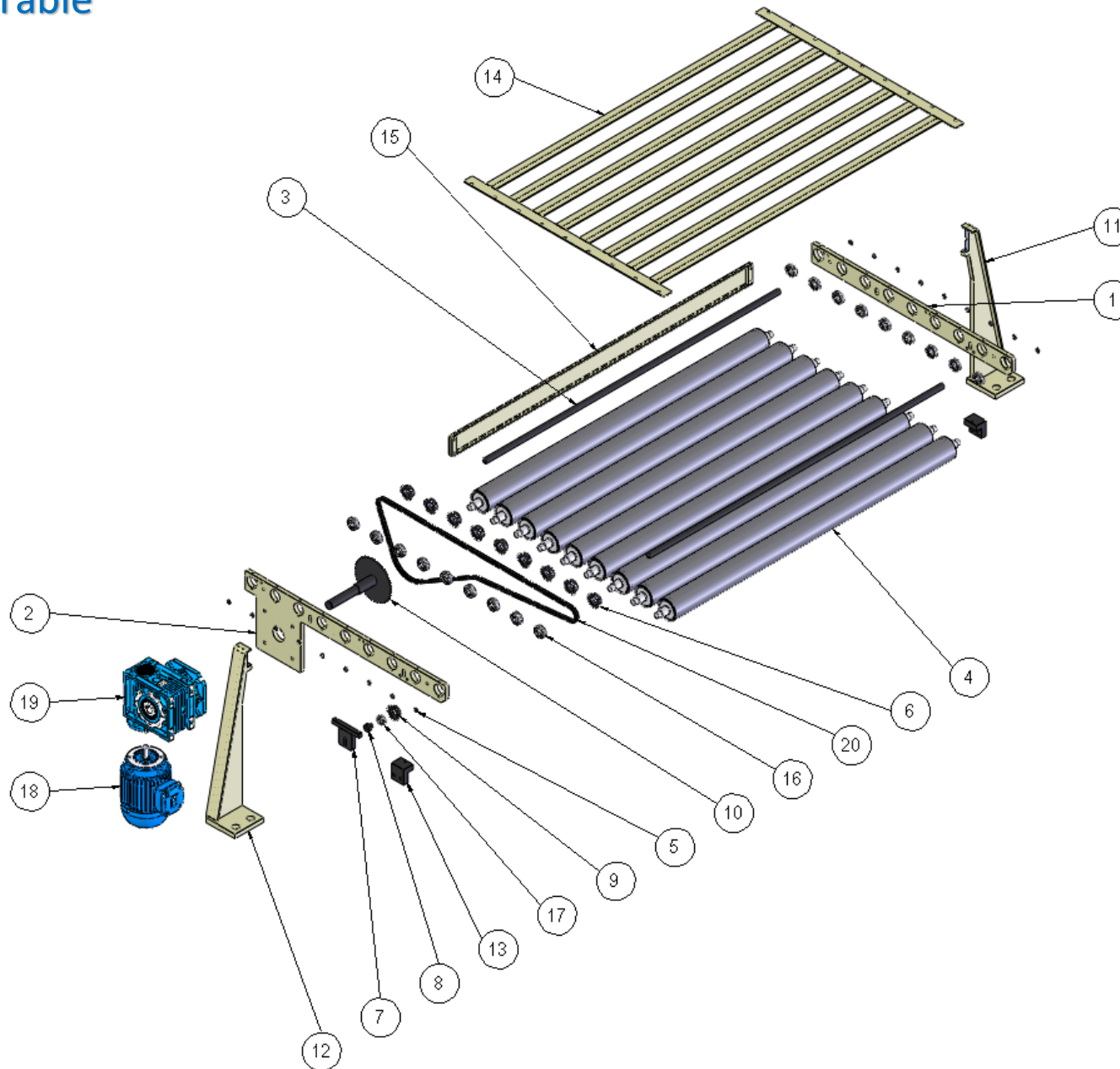


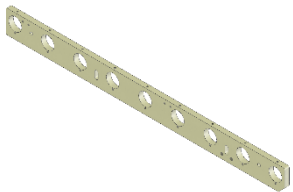
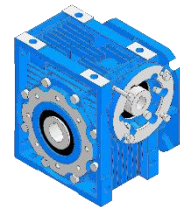
01	80220	02	80221	03	22401	04	22099	05	11508
									
06	22392	07	22397	08	22398	09	22396	10	80248
									
11	80256	12	80266	13	80254	14	80251	15	78613
									
16	4951	17	16811	18	7862	19	69601	20	4670
									

🇧🇷 Sc. Mesa de Saida – 80268

🇪🇸 Sc. Tabla de salida

🇬🇧 Ss. Output Table

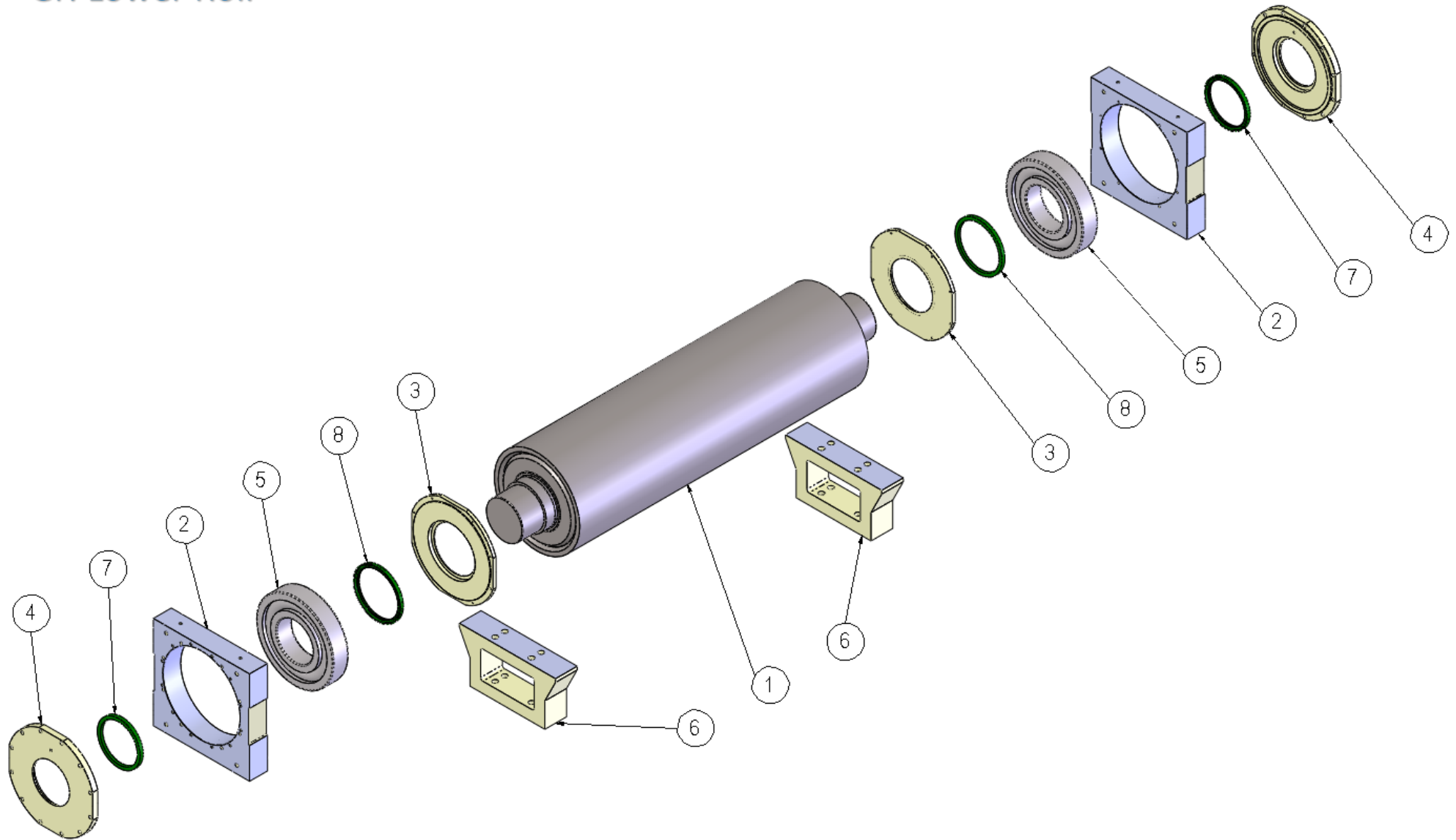



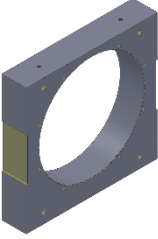

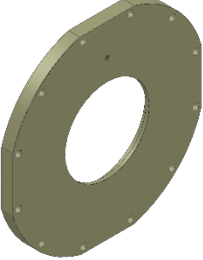

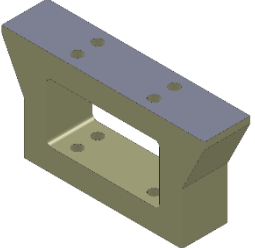


01	80220	02	80221	03	22401	04	22099	05	11508
									
06	22392	07	22397	08	22398	09	22396	10	80248
									
11	80256	12	80266	13	80254	14	80251	15	78613
									
16	4951	17	16811	18	7862	19	69601	20	4670
									

Gr. Rolo Inferior - 82405

 Gr. Rodillo Inferior

 Gr. Lower Roll

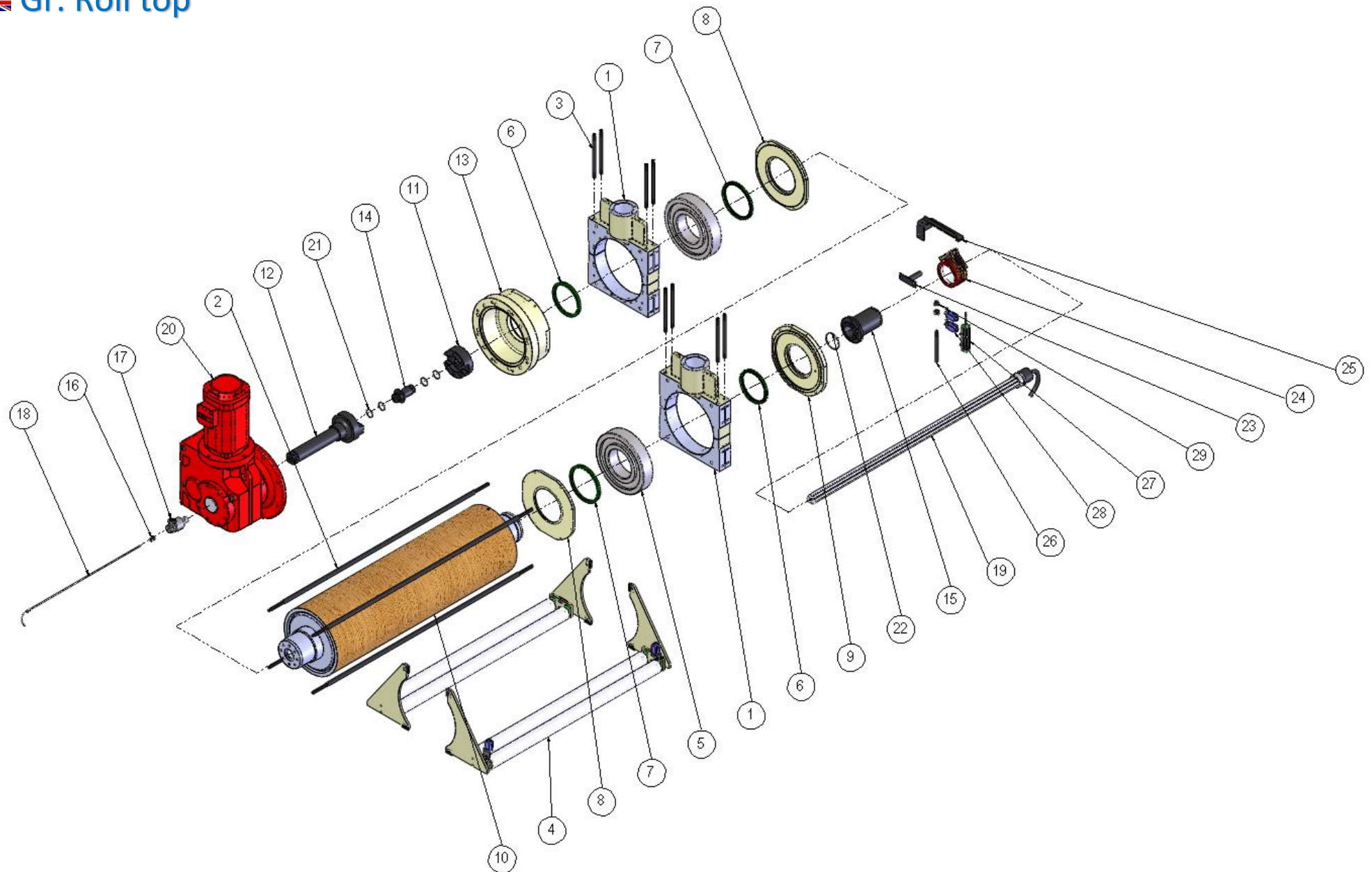


01	79561	02	82413	03	82418	04	82419	05	78494
									
06	82417	07	82451	08	82452				
									


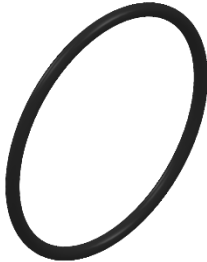
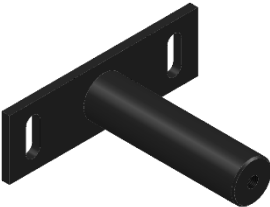
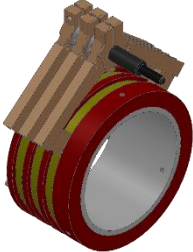
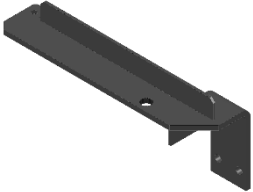

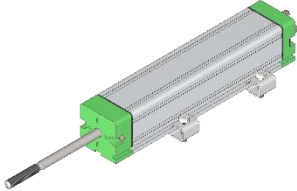
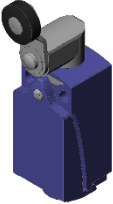

Gr. Rolo Superior – 82107

 Gr. Rodillo Inferior

 Gr. Roll top



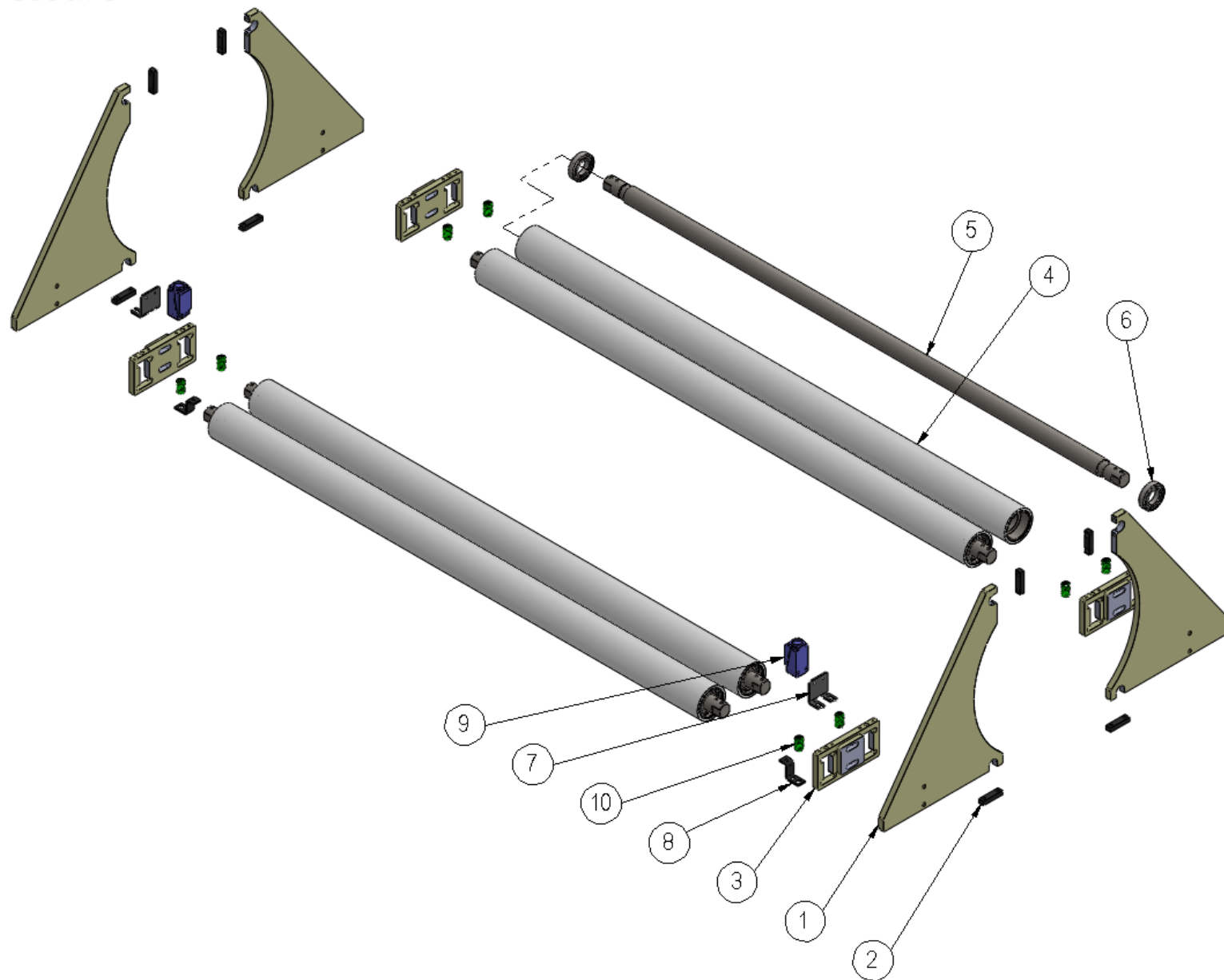
01	79608	02	79633	03	79634	04	81969	05	78494
									
06	82451	07	82452	08	82418	09	82419	10	82783
									
11	82773	12	82782	13	82774	14	82784	15	82781
									
16	73366	17	73314	18	82789	19	82853	20	82852
									



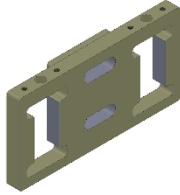
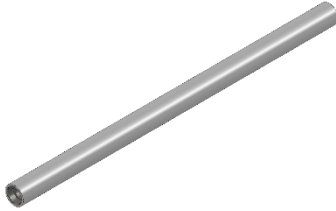




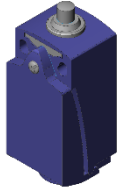

21	82792	22	82793	23	83271	24	82915	25	83273
									
26	83275	27	7468	28	5548	29	26195		
									

Sc. Rolo Prensor – 81969

 Sc. Presión del Rodillo

 Ss. Roll Pressure

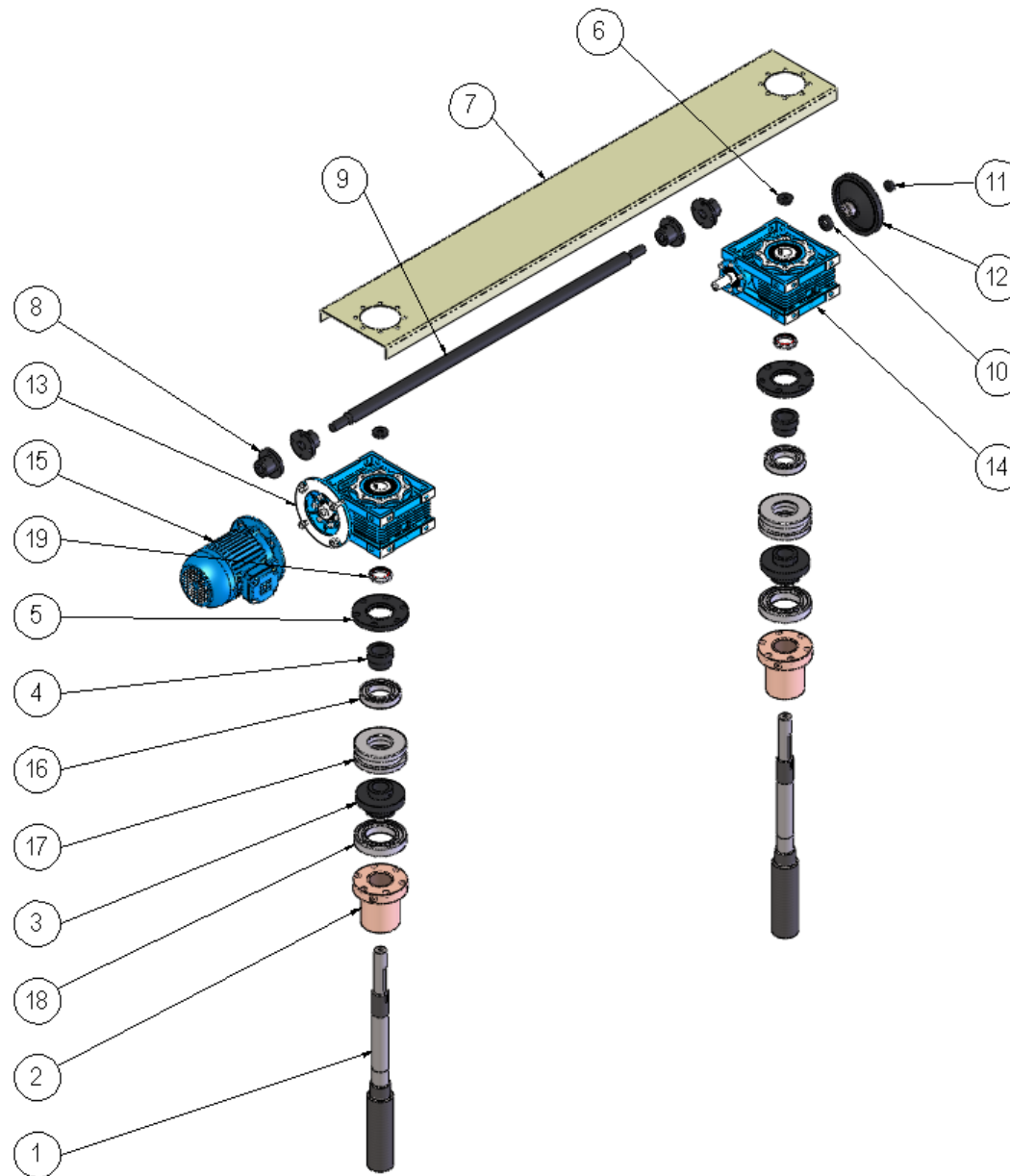


01	81961	02	81963	03	81964	04	81965	05	81966
									
06	5515	07	81967	08	81968	09	6127	10	8247
									

Gr. Sobe-Desce – 81676

 Gr. Arriba-Abajo

 Gr. Up-Down

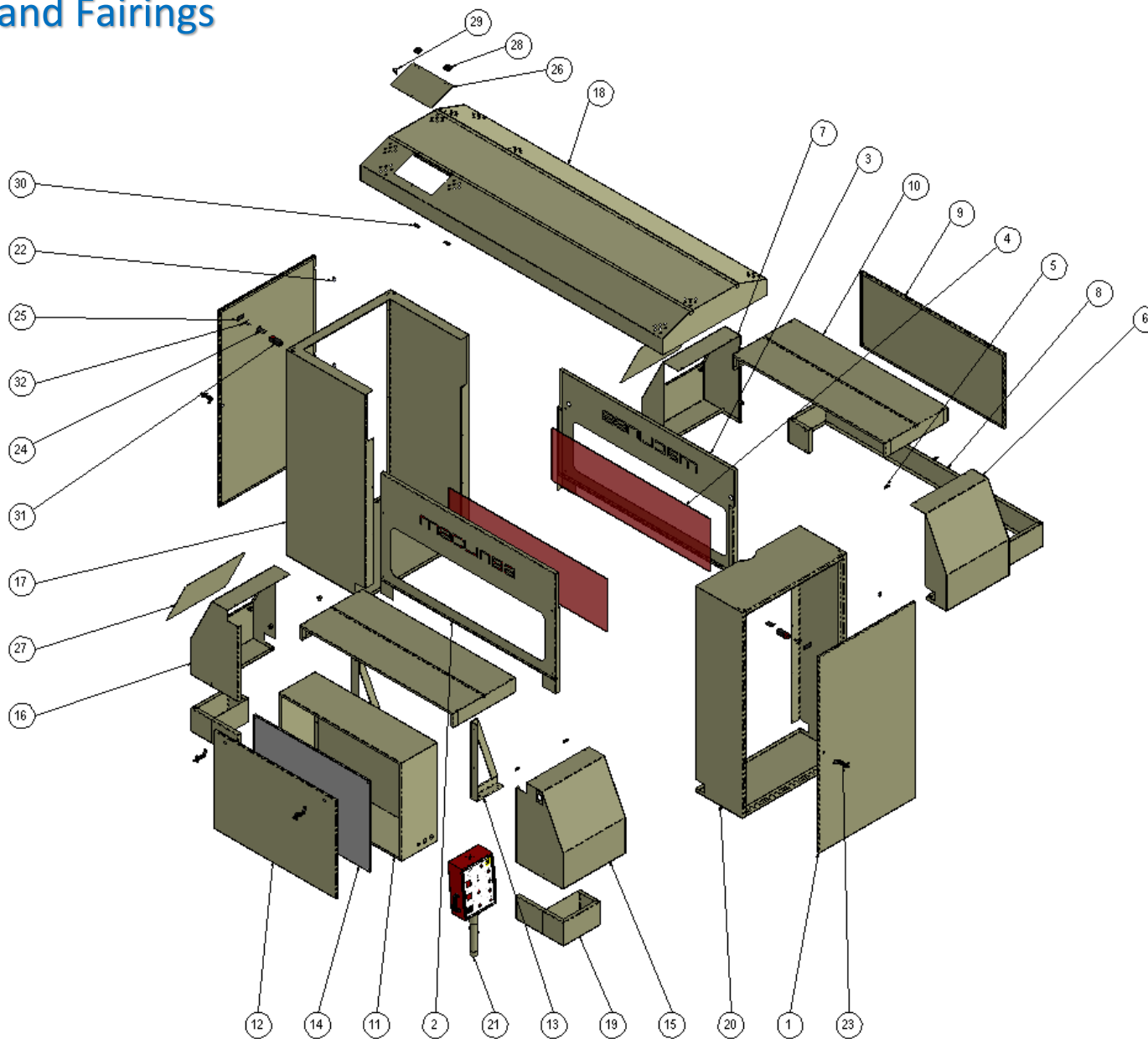



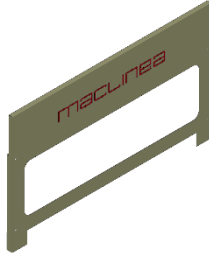
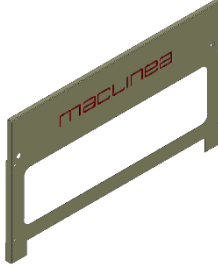
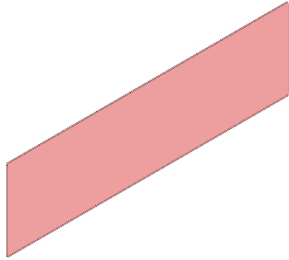
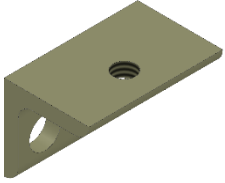
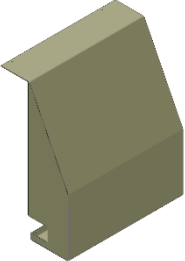
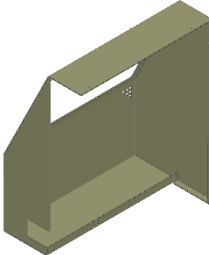
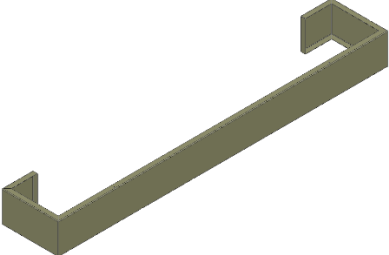
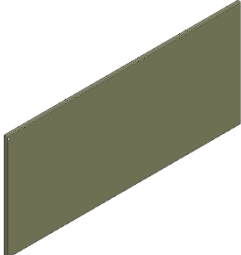
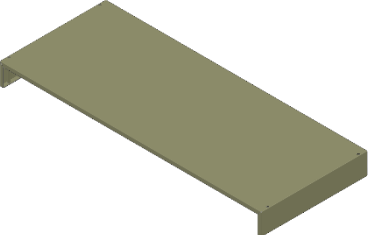
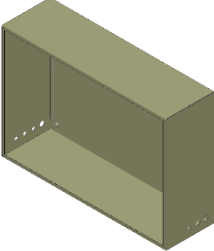
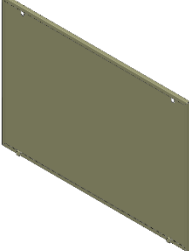
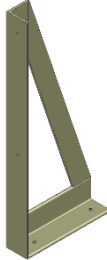
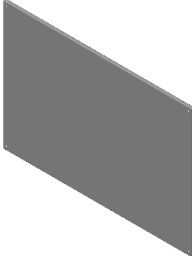
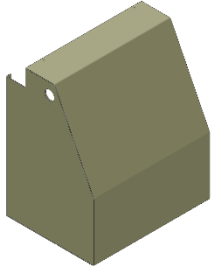
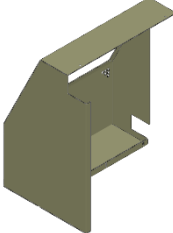
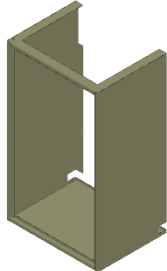
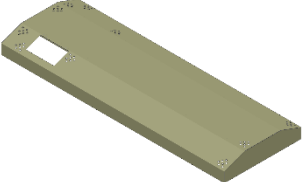
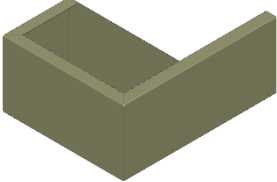
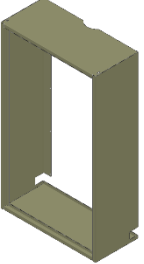
01	79768	02	79769	03	79770	04	79771	05	79772
									
06	79753	07	79754	08	79759	09	79760	10	79761
									
11	79762	12	79763	13	79793	14	79794	15	6596
									
16	19640	17	79795	18	1676	19	16989		
									


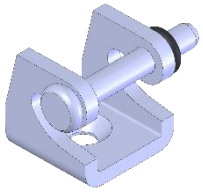
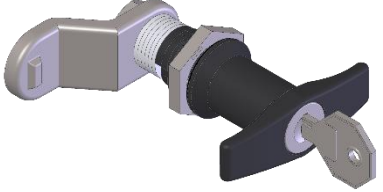
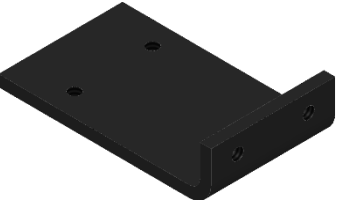

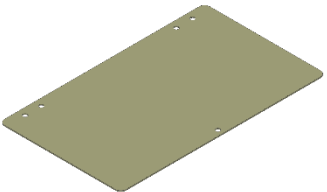
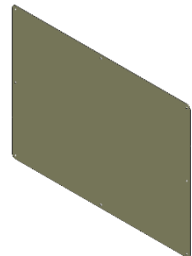
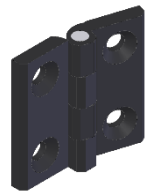


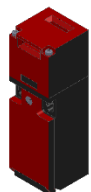
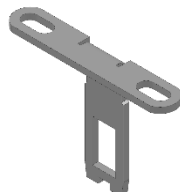
Gr. Armário e Carenagens – 83023

 Gr. Armario y Carenas

 Gr. Closet and Fairings



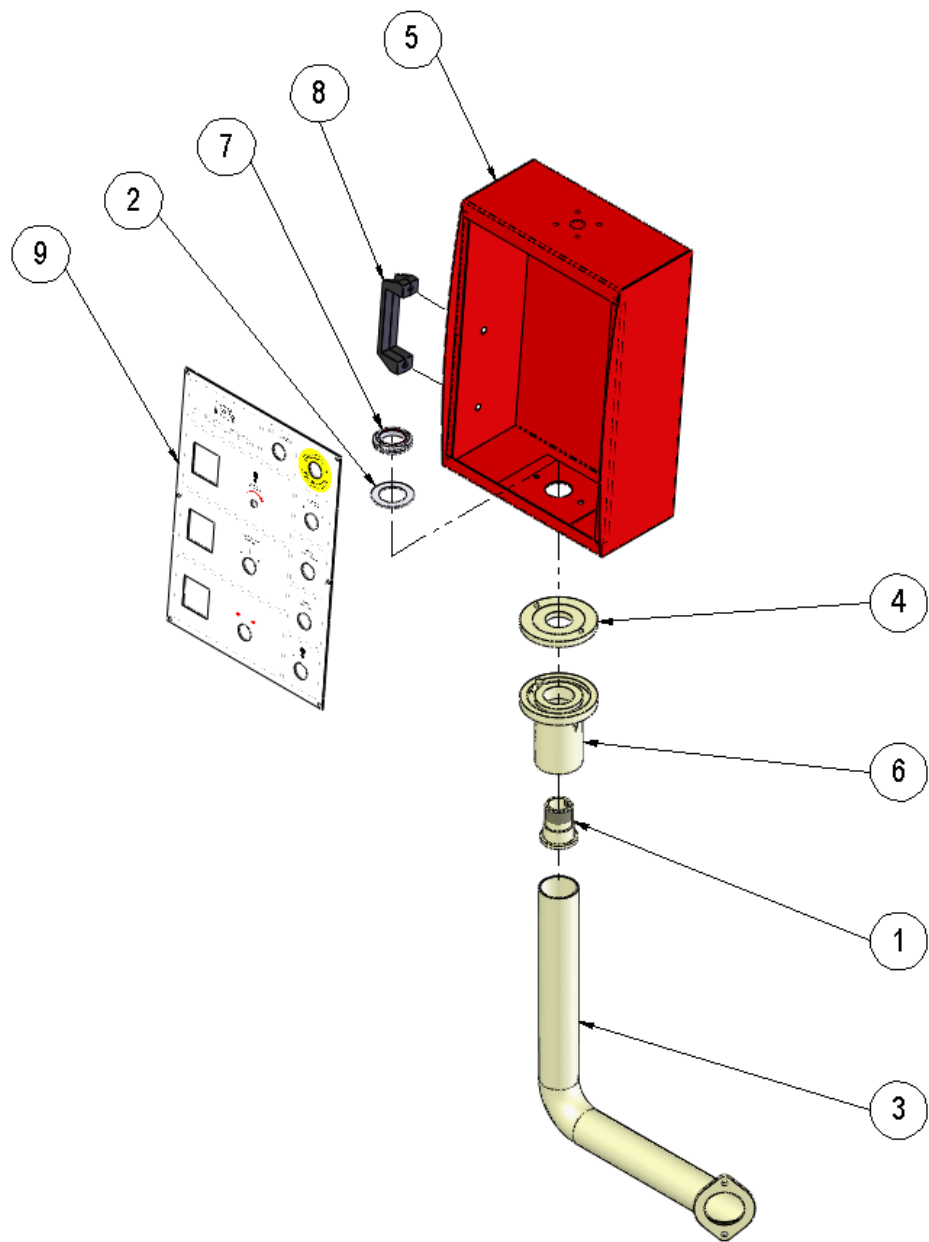
01	80259	02	80260	03	80260	04	80261	05	80265
									
06	80272	07	80273	08	80274	09	80276	10	81429
									
11	83004	12	83005	13	83006	14	83007	15	83010
									
16	83014	17	83015	18	83020	19	83021	20	83022
									

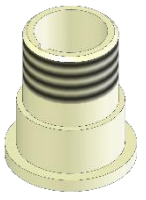
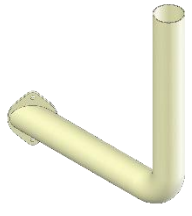
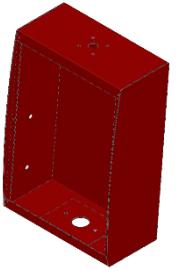
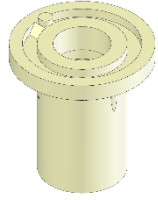
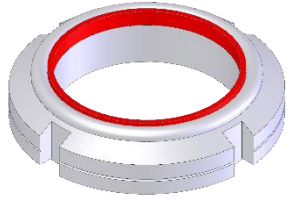
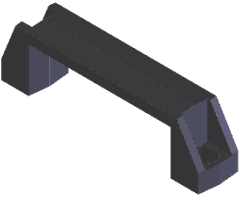
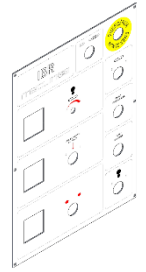
21	80730	22	70753	23	47191	24	83228	25	83229
									
26	83219	27	83212	28	7954	29	5154	30	17146
									
31	67312	32	64951						
									

🇧🇷 Sc. Painel de Comando – 80730

🇪🇸 Sc. Panel de control

🇬🇧 Ss. Command Panel

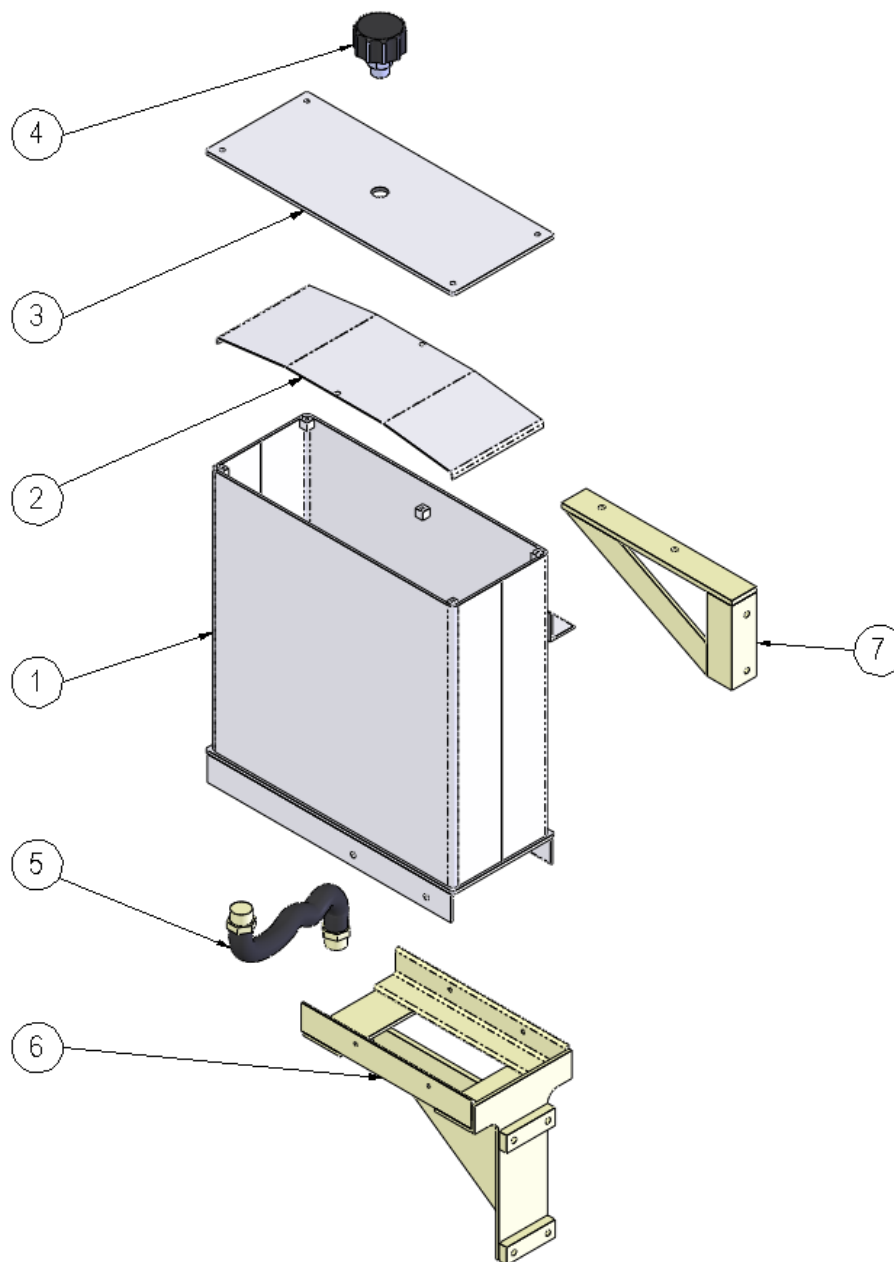


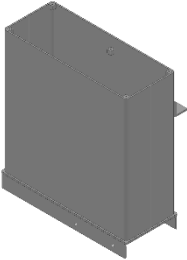
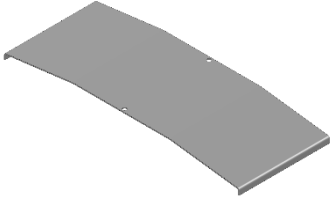
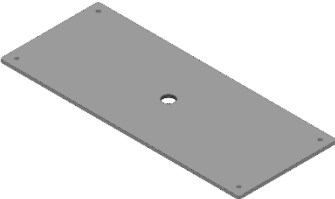
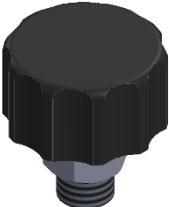

01	32405	02	32827	03	80731	04	32828	05	8408
									
06	30545	07	1789	08	5152	09	79972		
									

🇧🇷 Sc. Tanque de Expansão – 83388

🇪🇸 Sc. Depósito de Expansión

🇬🇧 Ss. Expansion Tank



01	83389	02	83390	03	83391	04	73315	05	80073
									
06	83392	07	83393						
